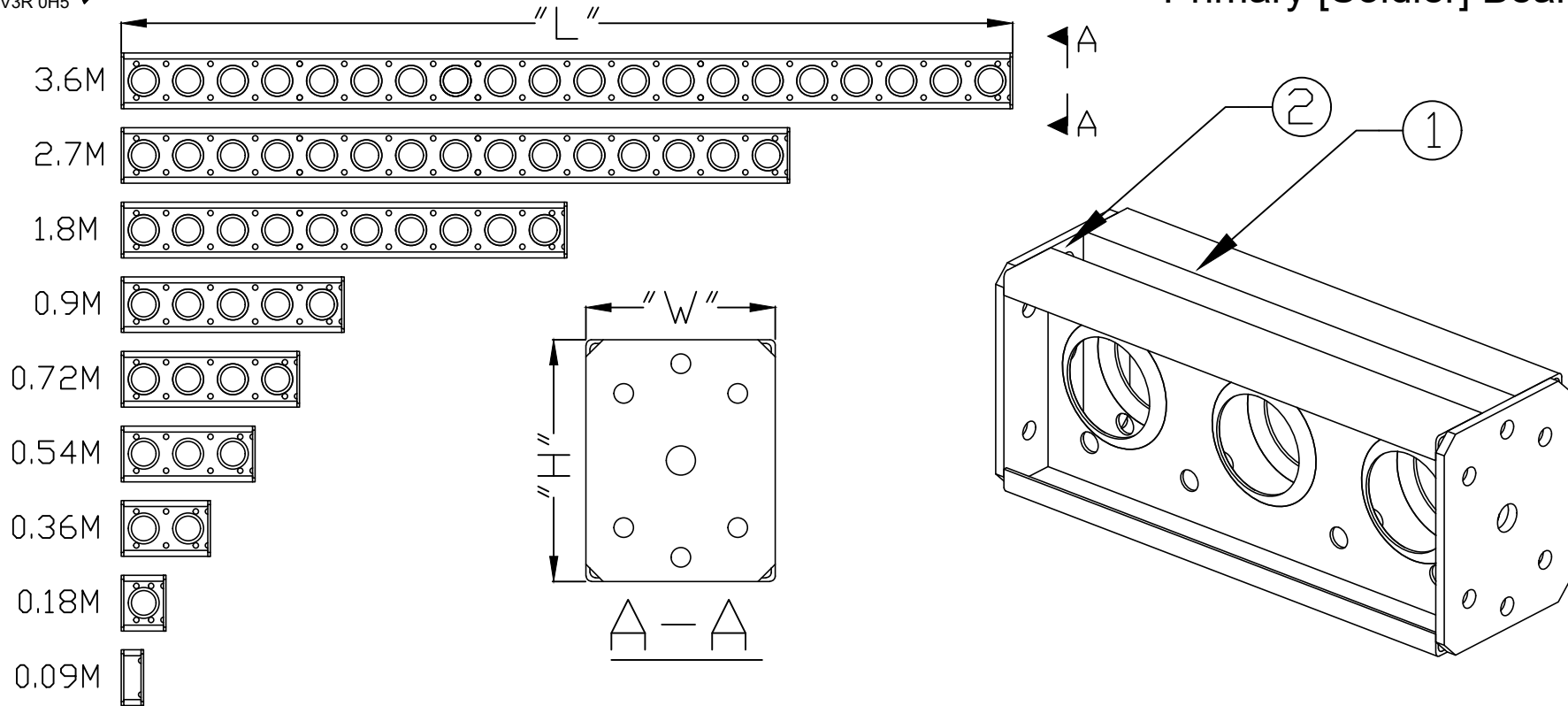


Primary [Soldier] Beam



PRIMARY [SOLDIER] BEAM DIAGRAM

ITEM NO.	LENGTH "L"	WIDTH "W"	HEIGHT "H"	WEIGHT	COMPONENTS	
07PRB009	3.5" [90]	6.93" [176]	8.86" [225]	-	S.NO.	DESCRIPTION
07PRB018	7.1" [180]	6.93" [176]	8.86" [225]	-	1	PRIMARY/SOLDIER BEAM
07PRB036	1'-2.2" [360]	6.93" [176]	8.86" [225]	-	2	
07PRB054	1'-9.3" [540]	6.93" [176]	8.86" [225]	-		
07PRB072	2'-4.3" [720]	6.93" [176]	8.86" [225]	-		
07PRB090	2'-11.4" [900]	6.93" [176]	8.86" [225]	-		
07PRB180	5'-10.9" [1800]	6.93" [176]	8.86" [225]	-		
07PRB270	8'-10.3" [2700]	6.93" [176]	8.86" [225]	-		
07PRB360	11'-9.7" [3600]	6.93" [176]	8.86" [225]	-		

NOTES:

1. ABOVE DIAGRAM DEPICTS THE EXACT LAYOUT OF EACH PRIMARY BEAM
2. ALL ALTERNATIVE UNITS SHOWN ARE MILLIMETRES
3. DRAWING IS NOT TO SCALE