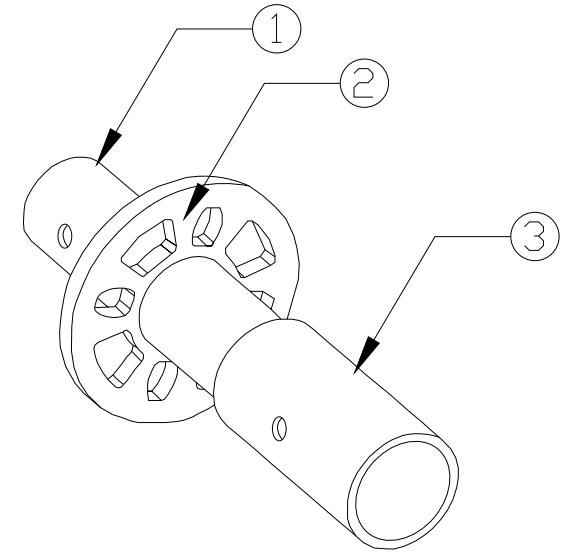
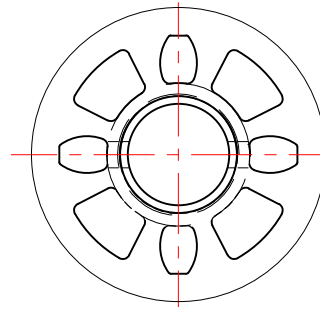
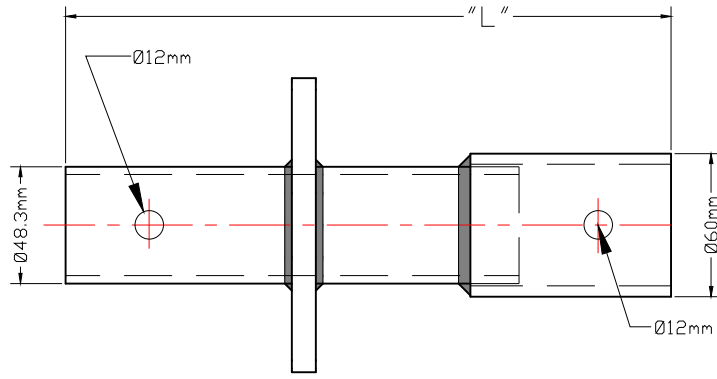


### Pro Base Collar



PRO BASE COLLAR DIAGRAM

**NOTES:**

1. THE BASE COLLAR IS PLACED ONTO THE SCREWJACK BEFORE THE STANDARD
2. ALL ALT. UNITS ARE MILLIMETERS

TRACEABILITY CODE:

NSPMMYYXXXX

\_\_\_\_\_ REFERENCE NUMBER  
 \_\_\_\_\_ YEAR CODE  
 \_\_\_\_\_ MONTH CODE  
 \_\_\_\_\_ NORTH SCAFFOLD PRODUCTS LTD.

| ITEM NO.  | LENGTH "L" | WEIGHT        | COMPONENTS |              |
|-----------|------------|---------------|------------|--------------|
| 01BCS016G | 9.8" [250] | 1.4kgs/3.1lbs | S.NO.      | DESCRIPTION  |
|           |            |               | 1          | TUBE Ø48.3mm |
|           |            |               | 2          | ROSETTE      |
|           |            |               | 3          | TUBE Ø60.3mm |