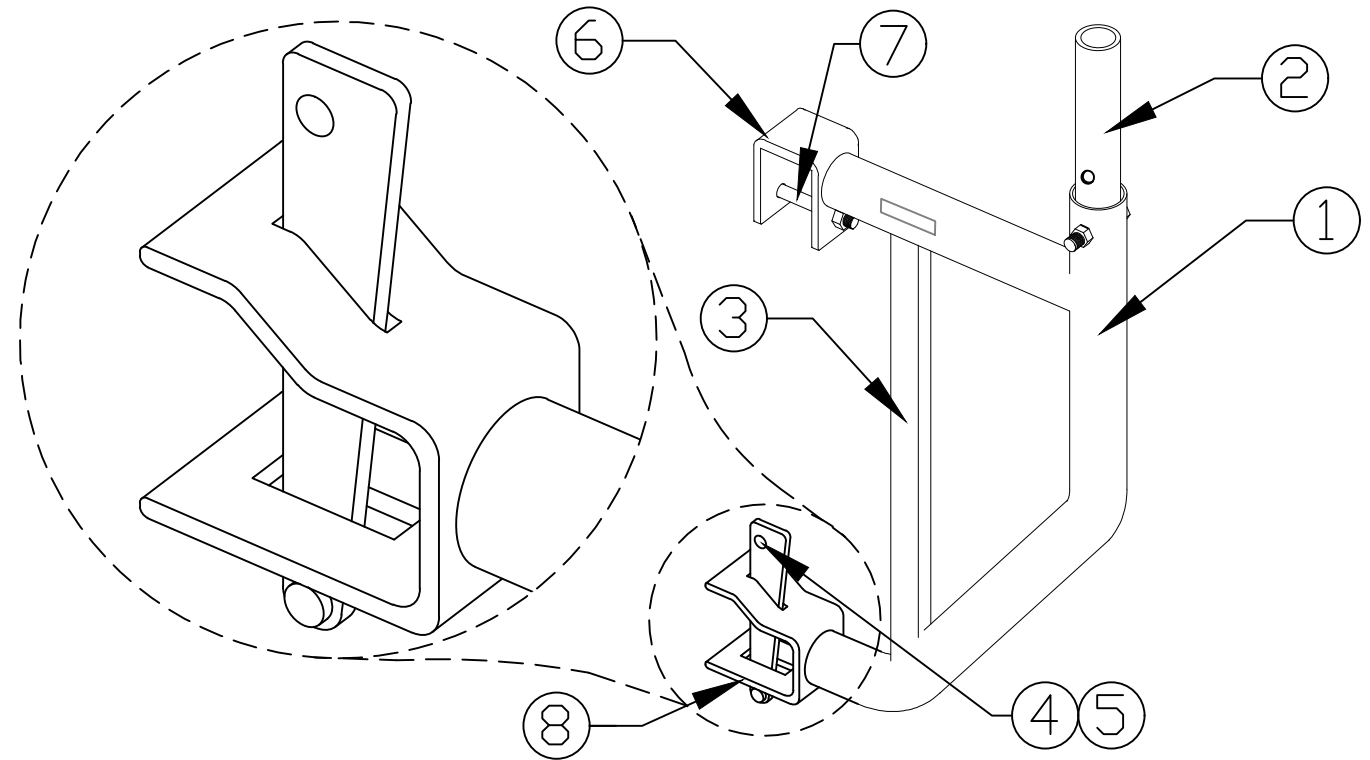
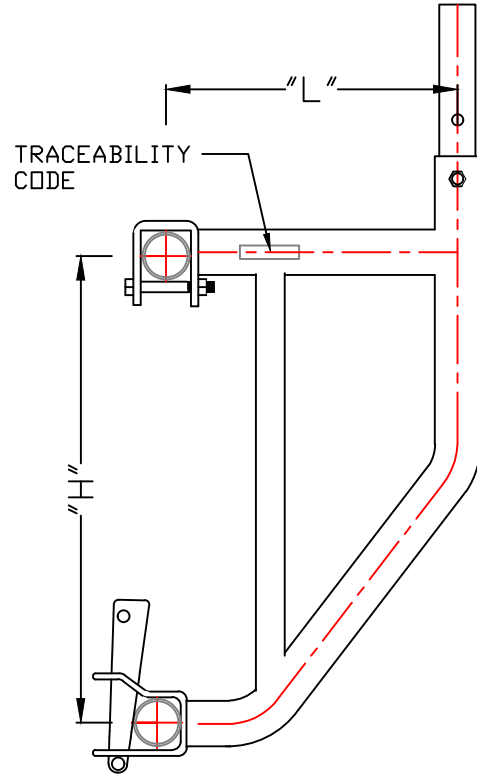


### Fixed Ledger Bracket



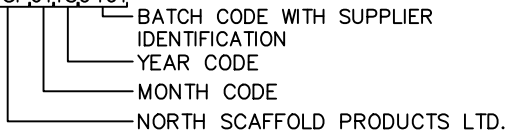
FIXED LEDGER BRACKET DIAGRAM

**NOTES:**

1. LENGTH "L" REPRESENTS THE DISTANCE BETWEEN ADJACENT LEDGERS
2. THIS INTERMEDIATE BRACKET SUPPORTS ONE BOARD ON LENGTH "L"
3. ALTERNATIVE UNITS ARE MILLIMETERS

**TRACEABILITY CODE:**

NSP01180401



ITEM NO.	LENGTH "L"	HEIGHT "H"	WEIGHT	COMPONENTS			
				S.NO.	DESCRIPTION	S.NO.	DESCRIPTION
01INB031G	1'-1/8" [310]	12'-7 7/10" [500]	7.26 kgs	1	TUBE Ø48.3mm	6	LEDGER LOCK UPPER
				2	SPIGOT 38mm	7	PIN Ø12mm
				3	SUPPORT	8	LEDGER LOCK LOWER
				4	WEDGE (6mm THICK)		
				5	RIVET (5.80mm)		