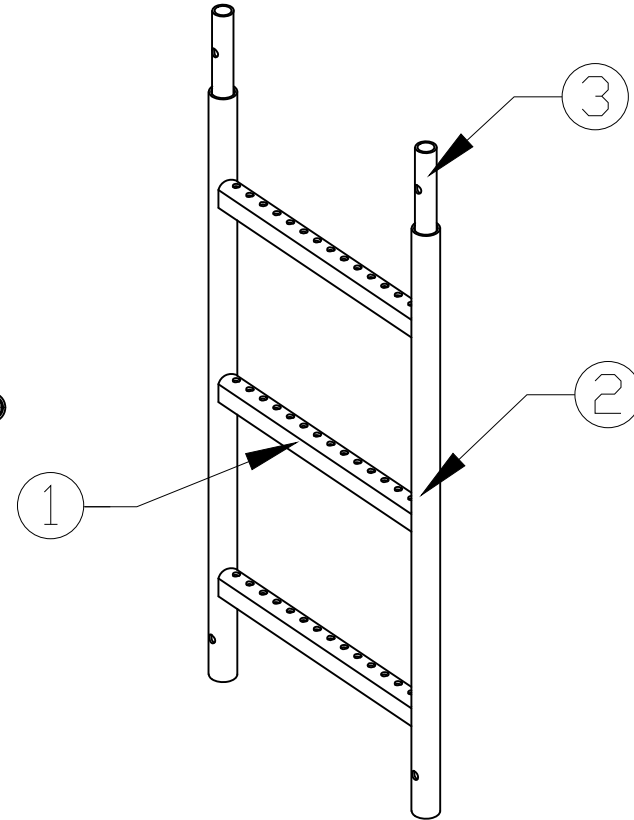
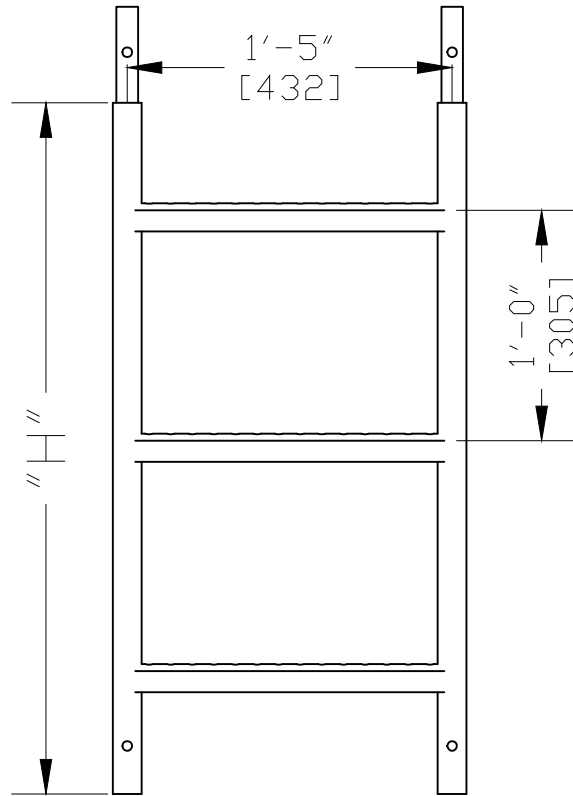


Steel Ladder



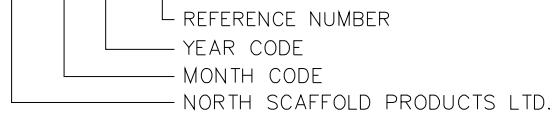
STEEL LADDER DIAGRAM

NOTES:

1. HOLES IN STEPS PROVIDE GRIP TO PREVENT SLIPPING
2. ALL ALT. UNITS ARE MILLIMETERS

TRACEABILITY CODE:

NSPMM,YYXXXX



ITEM NO.	HEIGHT "H"	WEIGHT	RUNGS	COMPONENTS	
01LAD091G	3'-0" [914]	6.6kgs/14.6lbs	3	S.NO.	DESCRIPTION
01LAD152G	5'-0" [1524]	10.5kgs/23.2lbs	5	1	STEP
01LAD305G	10'-0" [3048]	19.8kgs/43.7lbs	10	2	TUBE Ø36.5mm
				3	SPIGOT Ø27mm