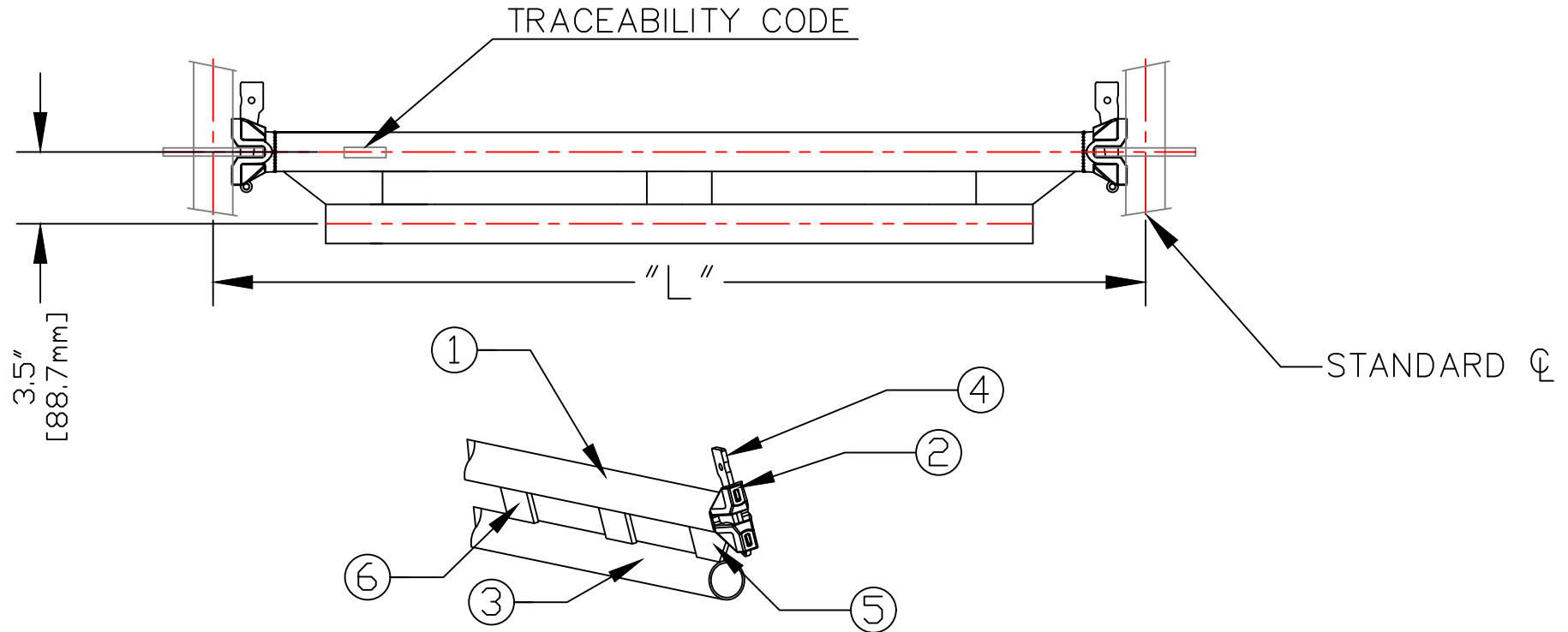


### Ringlock Double Ledger



DOUBLE LEDGER DIAGRAM

**NOTES:**

1. THE IMAGE ABOVE IS A REPRESENTATION OF THE 3'-10" LEDGER AND DOES NOT DEPICT THE EXACT LAYOUT OF EACH LENGTH
2. DISTANCE 'L' REPRESENTS THE LENGTH BETWEEN VERTICAL CENTER LINES OF THE ADJACENT STANDARDS
3. CENTER TO CENTER DISTANCE BETWEEN S.NO. 1 AND 3 IS 88.7mm FOR EACH LENGTH
4. ALL ALT. UNITS ARE MILLIMETERS

**TRACEABILITY CODE:**

NSP01180401

- BATCH CODE WITH SUPPLIER IDENTIFICATION
- YEAR CODE
- MONTH CODE
- NORTH SCAFFOLD PRODUCTS LTD.

ITEM NO.	LENGTH "L"	WEIGHT	COMPONENTS	
			S.NO.	DESCRIPTION
01RDL115G	3'-10" [1150]	8.36 kgs	1	TOP TUBE
01RDL157G	5'-2" [1572]	11.87 kgs	2	LEDGER END
01RDL182G	6'-0" [1829]	12.80 kgs	3	BOTTOM TUBE
01RDL213G	7'-0" [2130]	16.10 kgs	4	WEDGE
01RDL244G	8'-0" [2438]	17.46 kgs	5	GUSSET STRIP
01RDL305G	10'-0" [3050]	23.03 kgs	6	FLAT