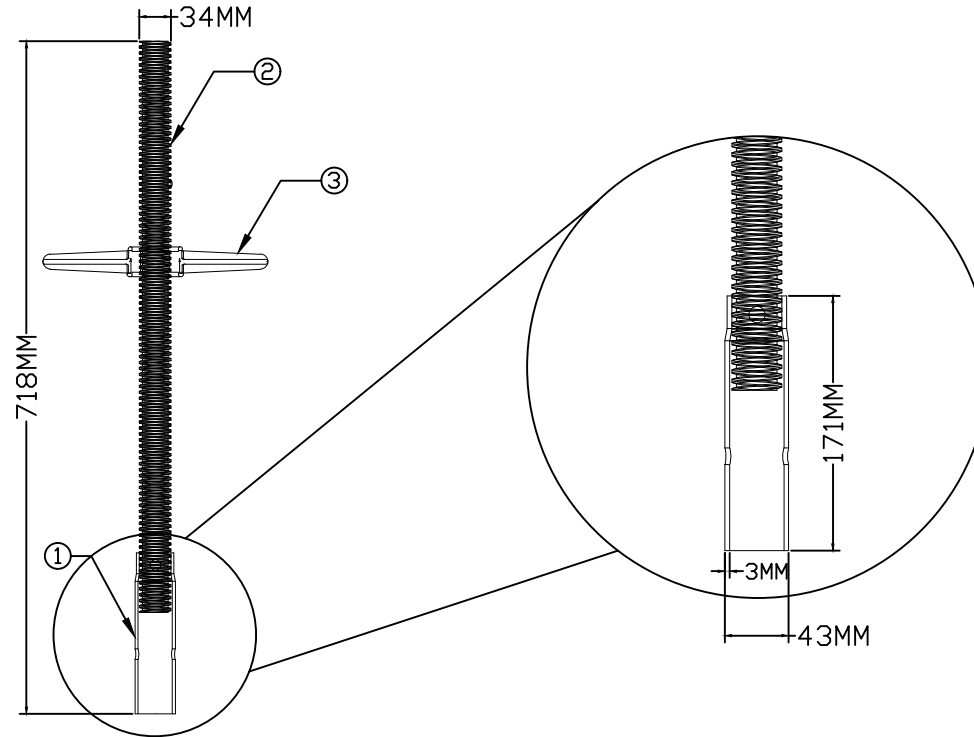


### Castorjack



**NOTES:**

1. ABOVE DIAGRAM DOES NOT DEPICT THE EXACT LAYOUT OF ALL NORTH CASTORJACKS
2. ELECTROPLATED COATING
3. INTENDED TO BE USED WITH NORTH CASTOR

CASTORJACK DIAGRAM

TRACEABILITY CODE:

NSP02200801

— BATCH CODE WITH SUPPLIER IDENTIFICATION CODE  
— YEAR CODE  
— MONTH CODE  
— NORTH SCAFFOLD PRODUCTS LTD.

ITEM NO.	DIAMETER	WEIGHT	STATE	COMPONENTS	
02CJF034E	34mm	10.40kgs	SOLID	S.NO.	DESCRIPTION
				1	CASTOR BASE
				2	THREADED SHAFT
				3	SWIVEL