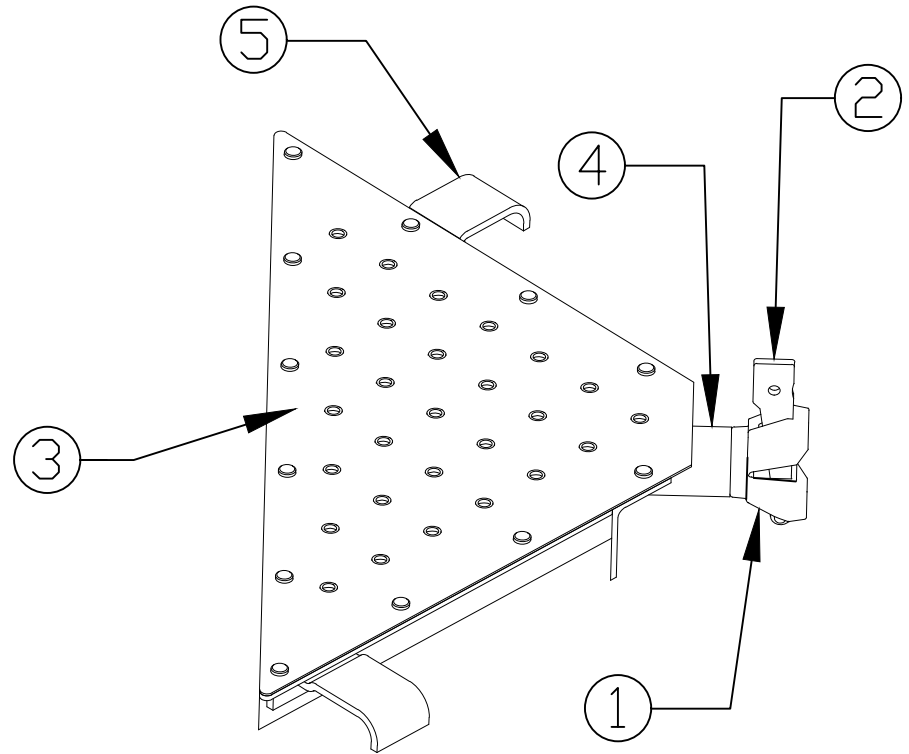
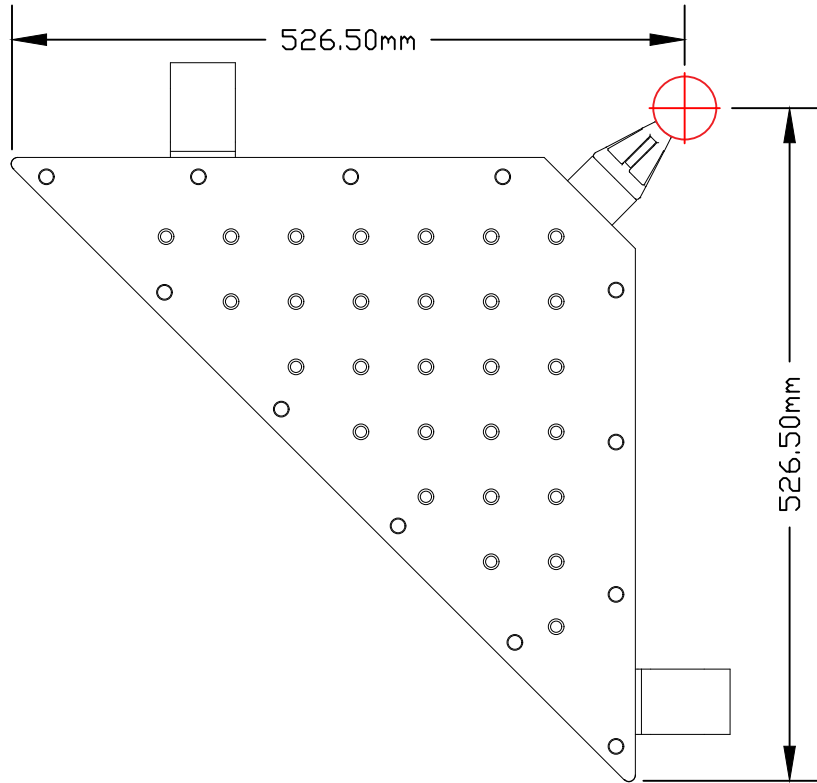


Half Corner Filler



HALF CORNER FILLER DIAGRAM

NOTES:

1. ALL ALT. UNITS ARE MILLIMETERS
2. FOR ALLOWABLE LOADING CONTACT US
3. COATING IS HDG

ITEM NO.	LENGTH "L"	WEIGHT	COMPONENTS	
			S.NO.	DESCRIPTION
03HF0600G	0.60M	8.1kgs/17.78lbs	1	LEDGER HEAD
			2	WEDGE
			3	TOP PLATE
			4	TUBE
			5	HOOK

TRACEABILITY CODE:

NSPMMYYXXXX

