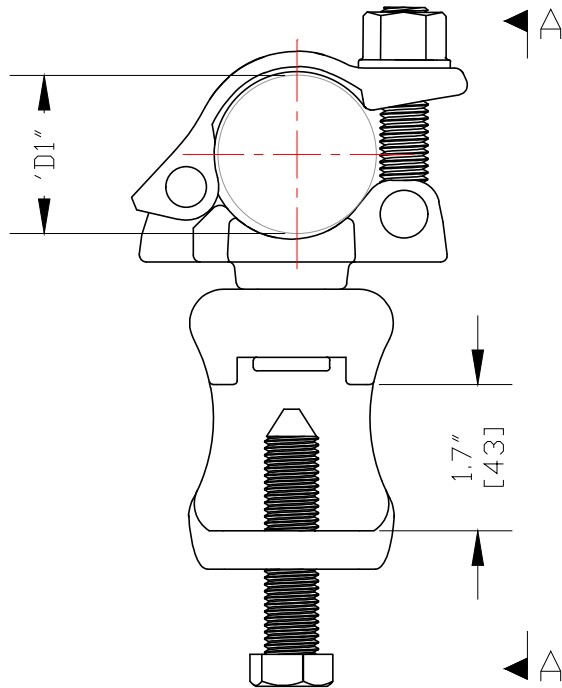
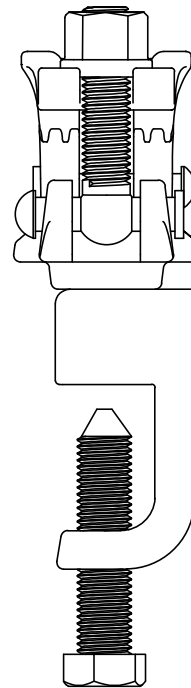


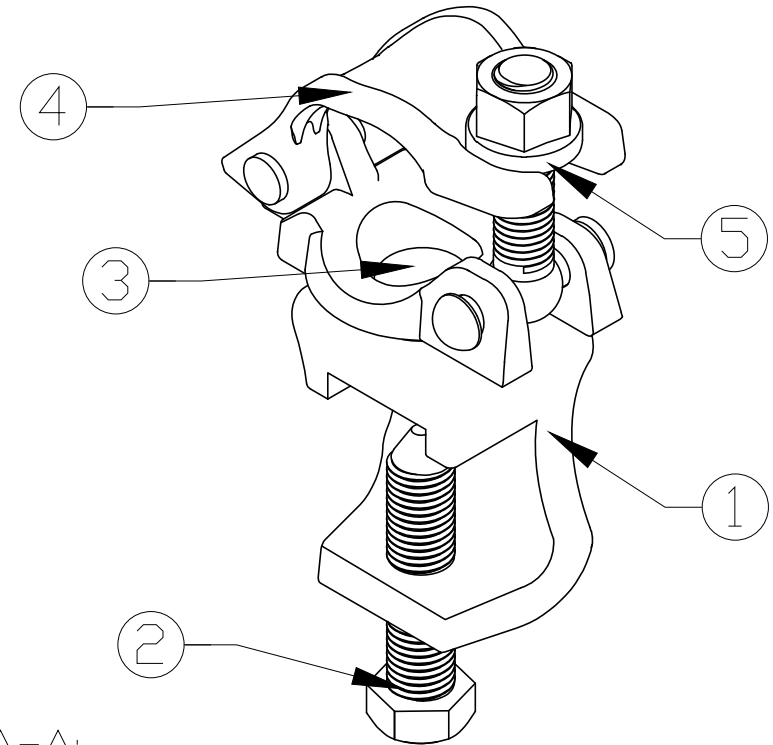
### Swivel Beam Clamp



FRONT PROFILE:



SIDE PROFILE A-A:



BEAM CLAMP DIAGRAM

**NOTES:**

1. ABOVE DIAGRAM DEPICTS THE EXACT LAYOUT OF THE SWIVEL BEAM CLAMP
2. ALL ALTERNATIVE UNITS ARE MILLIMETRES
3. "D1" REPRESENTS DIAMETER OF THE TUBE TO BE USED WITH THE CLAMP

ITEM NO.	DIAMETER "D1"	WEIGHT	COMPONENTS	
06SB0000E	1.9" [48.3mm]	1.49kgs/3.28lbs	S.NO.	DESCRIPTION
			1	BEAM CLAMP
			2	BEAM BOLT
			3	CENTER RIVET
			4	TUBE CLAMP
			5	I-BOLT & NUT