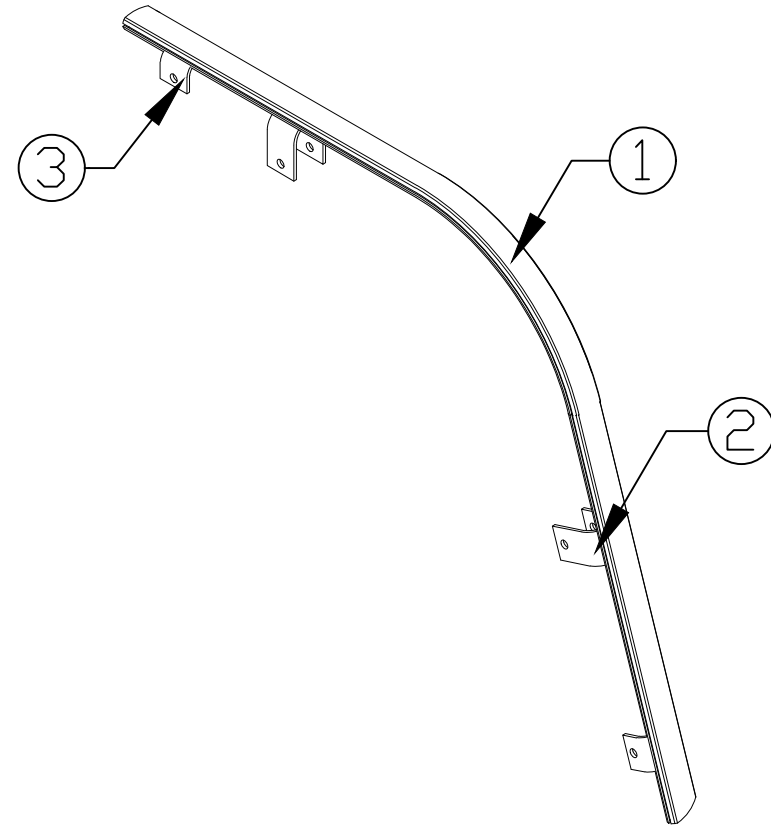
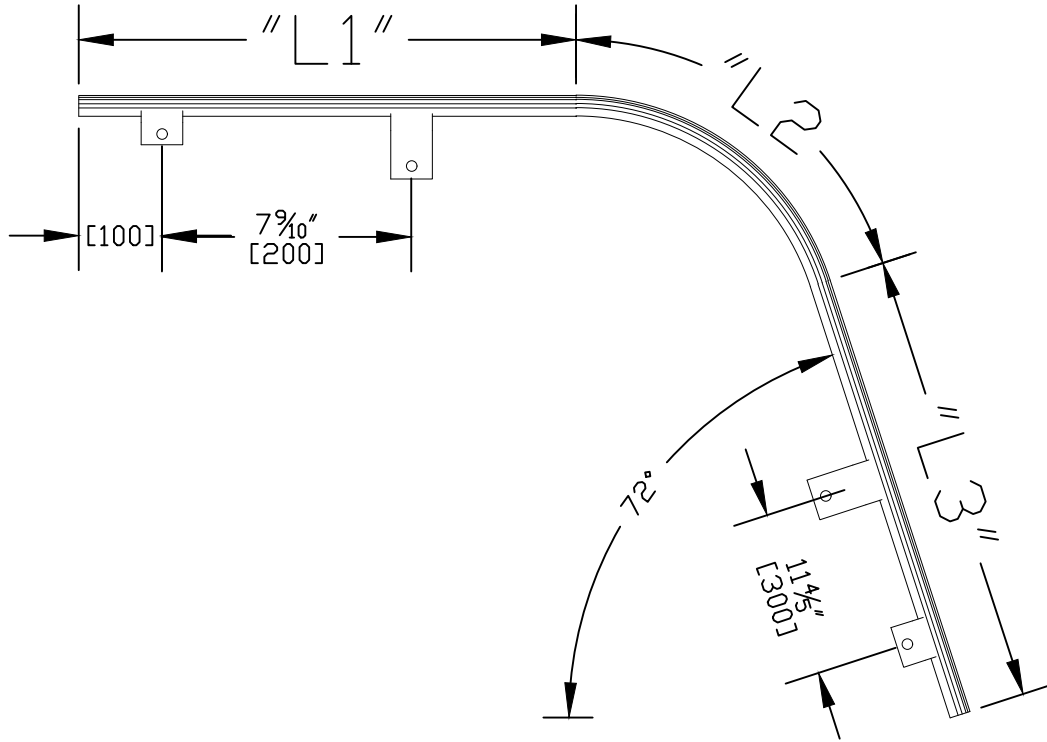


### Diamond Eave Beam



DIAMOND EAVE BEAM DIAGRAM

ITEM NO.	LENGTH "L1"	LENGTH "L2"	LENGTH "L3"	WEIGHT	COMPONENTS	
08KTRE18A	1'-9 5/8" [543]	1'-2 3/4" [375]	1'-11 1/10" [595]	2.50 kgs	S.NO.	DESCRIPTION
					1	TRACK
					2	MID BRACKET
					3	END BRACKET

**NOTES:**

1. ABOVE DIAGRAM DEPICTS EXACT LAYOUT OF EAVE KEDER TRACK
2. ALL ALT. UNITS ARE MILLIMETERS UNLESS OTHERWISE LABELLED