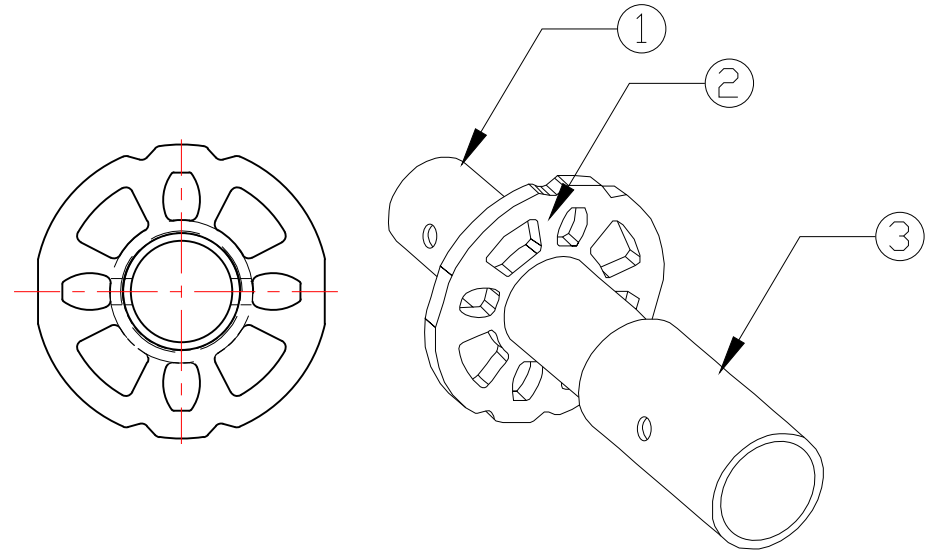
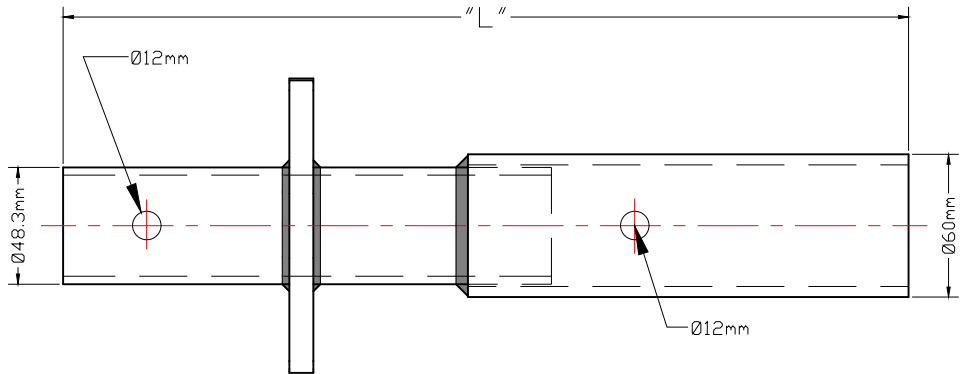


Ringlock Base Collar



BASE COLLAR DIAGRAM

NOTES:

1. THE BASE COLLAR IS PLACED ONTO THE SCREWJACK BEFORE THE STANDARD
2. ALL ALT. UNITS ARE MILLIMETERS

TRACEABILITY CODE:
NSPMMYYXXXX

└── REFERENCE NUMBER
 └── YEAR CODE
 └── MONTH CODE
 └── NORTH SCAFFOLD PRODUCTS LTD.

ITEM NO.	LENGTH "L"	WEIGHT	COMPONENTS	
01BCS016G	1'-0" [301]	2.1kgs/4.6lbs	S.NO.	DESCRIPTION
			1	TUBE Ø48.3mm
			2	ROSETTE
			3	TUBE Ø60.3mm