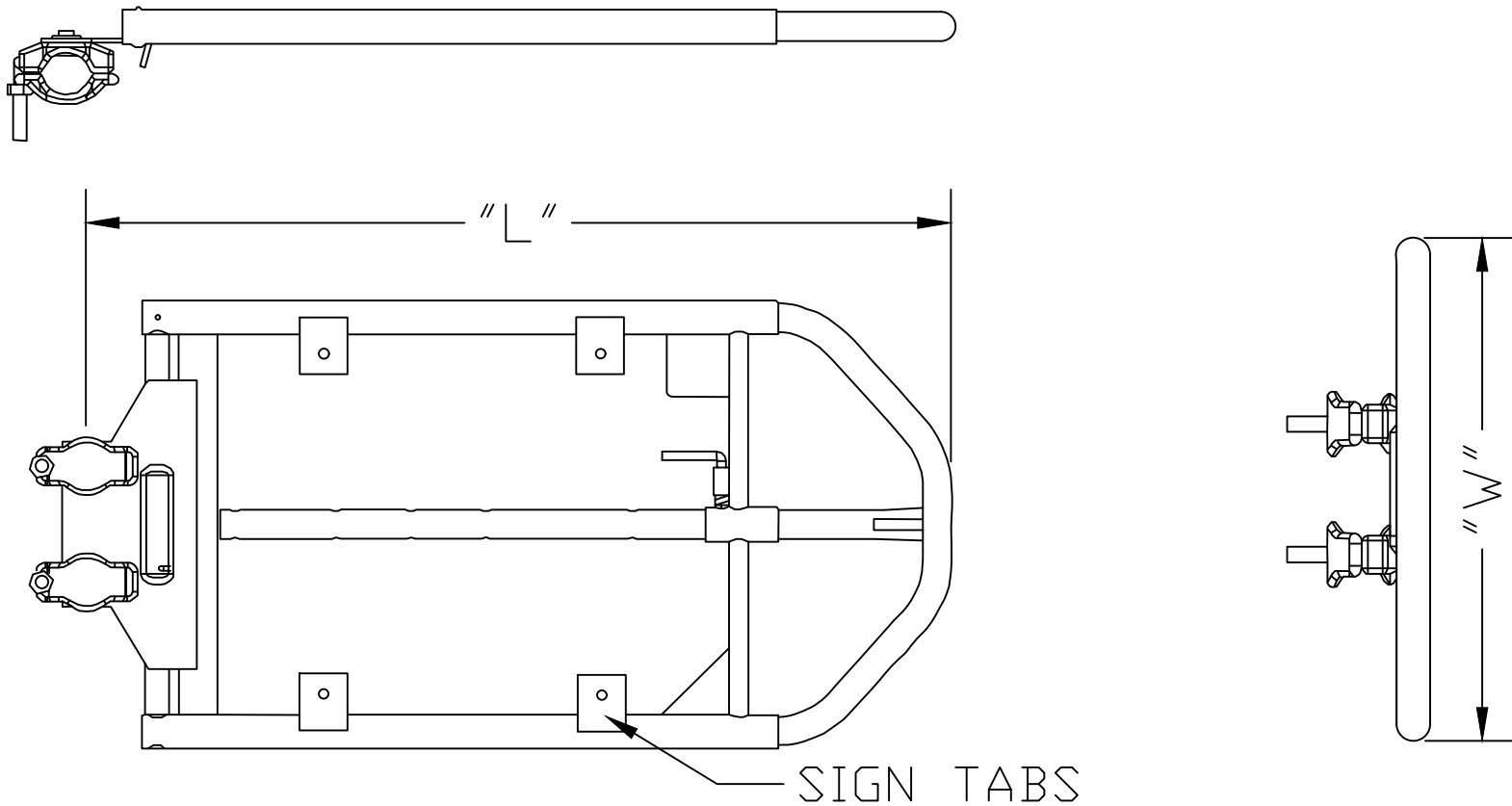


Adjustable Swing Gate



ADJUSTABLE SWING GATE

NOTES:

1. THE LAST LETTER IN THE ITEM NUMBER DETERMINES THE COATING, P=POWDER COATED (PWC) AND G=GALVANIZED COATED (HDG)
2. ALT. UNITS ARE MILLIMETERS

| ITEM NO. | Adjustable Length | WEIGHT (kg) | WEIGHT (lbs) |
|-----------|-------------------|-------------|--------------|
| 01ASG050P | 2'-4' [610-1219] | 12.30 | 27.06 |