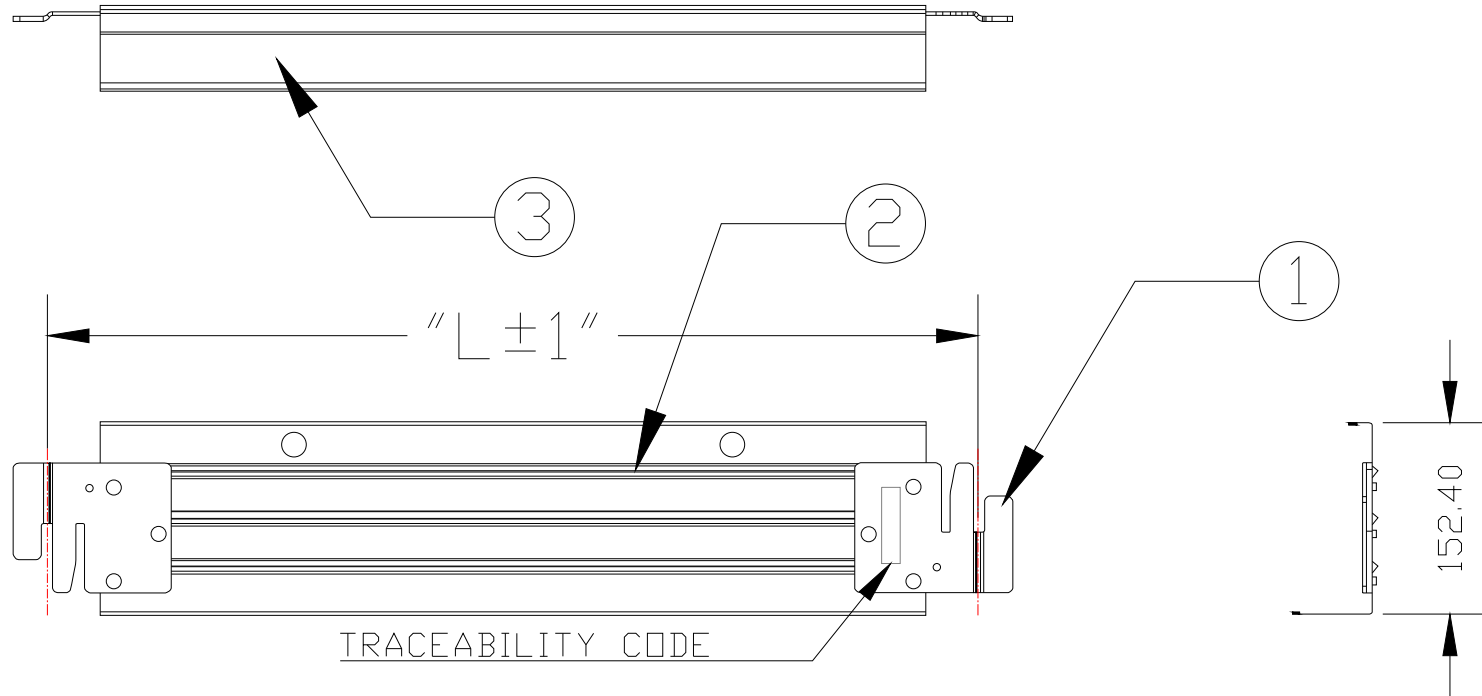


Interlocking Toeboard



INTERLOCKING TOEBOARD DIAGRAM

NOTES:

1. LENGTH "L" REPRESENTS THE DISTANCE BETWEEN TOEBOARD CONNECTION POINTS
2. ALL ALT. UNITS ARE MILLIMETERS

TRACEABILITY CODE:

NSPMMYYXXX

REFERENCE NUMBER

YEAR CODE

MONTH CODE

NORTH SCAFFOLD PRODUCTS LTD.

ITEM NO.	LENGTH "L"	WEIGHT	COMPONENTS	
			S.NO.	DESCRIPTION
01ITB066G	2'-2" [660]	2.2kgs/4.8lbs	1	TOE BOARD CONNECTIONS PLATE
01ITB073G	2'-5" [730]	2.4kgs/5.4lbs	2	BASE BOARD
01ITB078G	2'-7" [780]	2.5kgs/5.6lbs	3	BOTTOM SUPPORT
01ITB088G	2'-10" [880]	2.7kgs/6.0lbs		
01ITB106G	3'-6" [1065]	3.4kgs/7.4lbs		
01ITB115G	3'-10" [1150]	3.5kgs/7.8lbs		
01ITB130G	4'-3" [1300]	4.0kgs/8.9lbs		
01ITB157G	5'-2" [1570]	4.9kgs/10.7lbs		
01ITB213G	7'-0" [2130]	6.5kgs/14.4lbs		
01ITB257G	8'-5" [2570]	7.8kgs/17.1lbs		
01ITB305G	10'-0" [3050]	9.3kgs/20.4lbs		