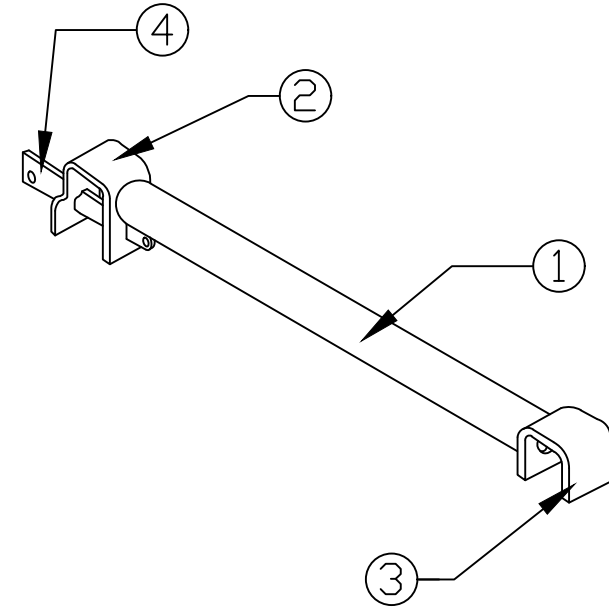
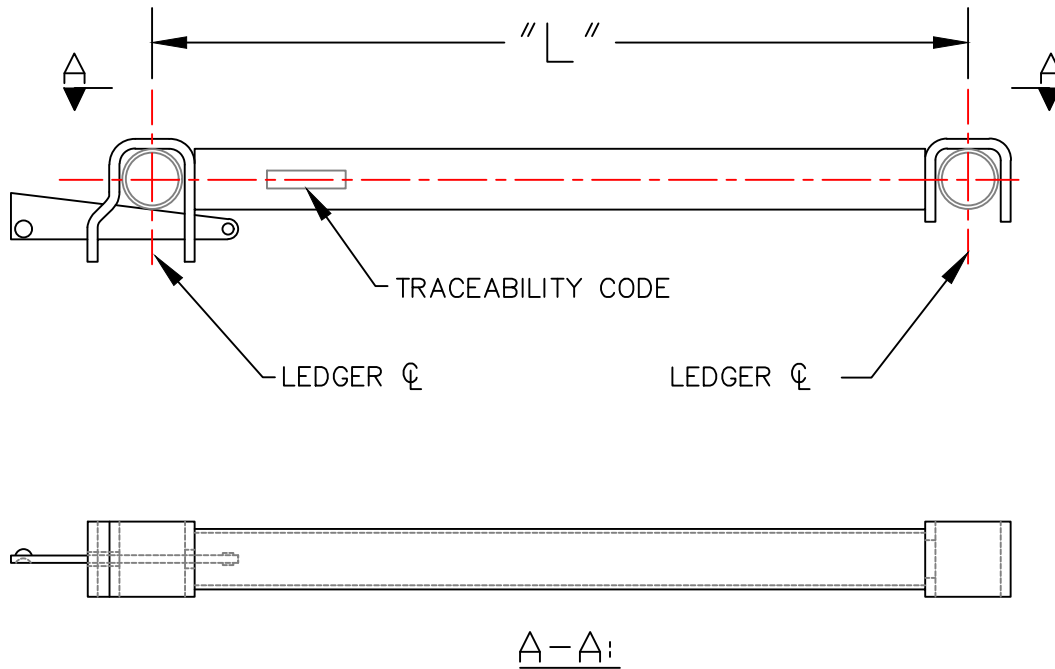


Mid Transom



MID TRANSOM DIAGRAM

NOTES:

1. LENGTH "L" REPRESENTS THE DISTANCE BETWEEN CENTER LINES OF THE ADJACENT LEDGERS
2. TRANSOMS MUST BE PLACED ON THE PLANK LEVEL TO PROVIDE ADDITIONAL SUPPORT FOR PLATFORMS
3. ALL ALT. UNITS ARE MILLIMETRES

TRACEABILITY CODE:

NSP02180801
 └── BATCH CODE WITH SUPPLIER IDENTIFICATION CODE
 └── YEAR CODE
 └── MONTH CODE
 └── NORTH SCAFFOLD PRODUCTS LTD.

ITEM NO.	LENGTH "L"	WEIGHT	COMPONENTS	
			S.NO.	DESCRIPTION
01MTR079G	2'-7" [787]	4.33 kgs		
01MTR088G	2'-10" [880]	4.73 kgs	1	HOR. TUBE
01MTR115G	3'-10" [1150]	5.70 kgs	2	HOOK LH
01MTR157G	5'-2" [1570]	7.20 kgs	3	HOOK RH
01MTR213G	7'-0" [2130]	9.12 kgs	4	WEDGE