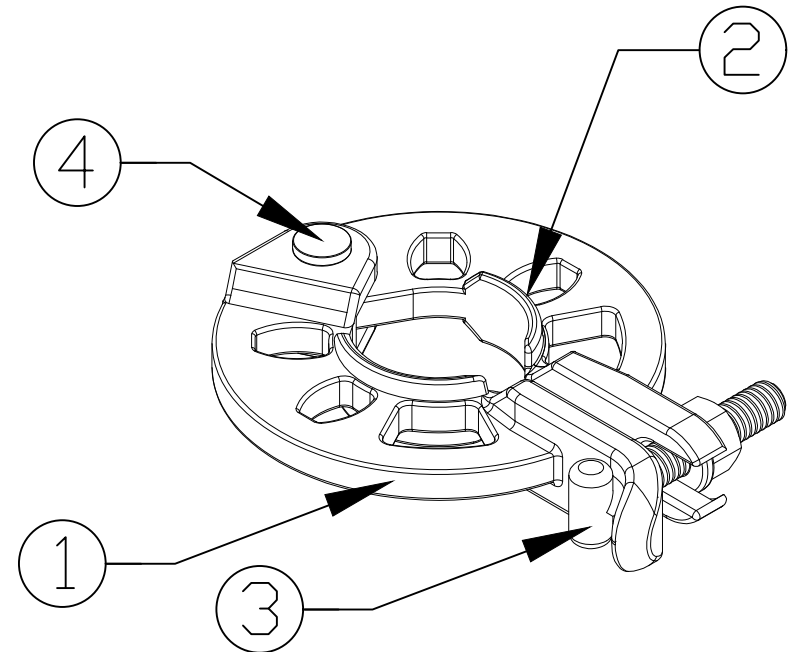
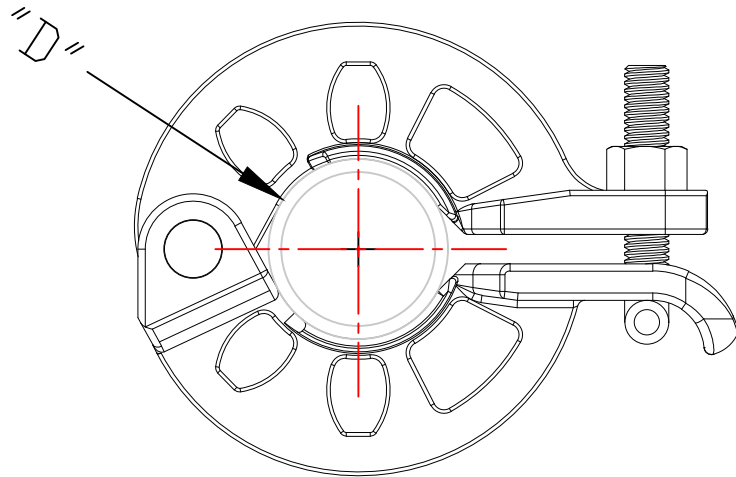


### Adjustable Rosette



ADJUSTABLE ROSETTE DIAGRAM

**NOTES:**

1. ABOVE DIAGRAM SHOWS THE ADJUSTABLE ROSETTE INSTALLED ON A TYPICAL TUBE
2. LEDGERS AND BAY BRACES CAN BE ATTACHED ON TO THE ADJUSTABLE ROSETTE AT THE SMALL AND LARGE HOLES RESPECTIVELY
3. "D" REPRESENTS THE DIAMETER THE ROSETTE IS INTENDED FOR
4. ALL ALT. UNITS ARE MILLIMETERS

ITEM NO.	"D"	WEIGHT	COMPONENTS	
01RADRPOE	1.9" [48.3mm]	1.03 kgs	S.NO.	DESCRIPTION
			1	ROSETTE CLAMP A
			2	ROSETTE CLAMP B
			3	T-BOLT
			4	RIVET