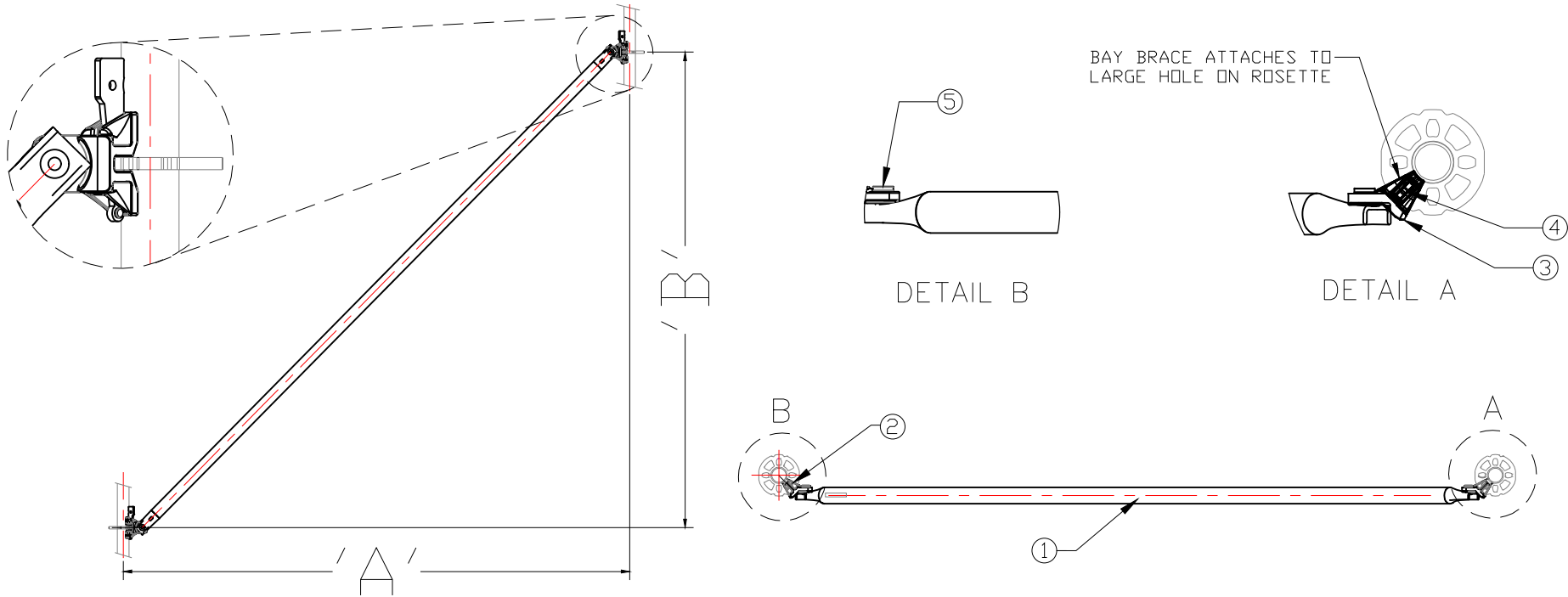


Ringlock Bay Brace



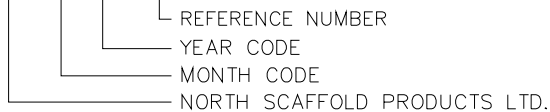
BAY BRACE DIAGRAM

NOTES:

1. LENGTH "B" IS 2m FOR EVERY BAY BRACE LENGTH
2. LENGTH "A" REPRESENTS THE DISTANCE BETWEEN CENTER LINES OF THE ADJACENT STANDARDS
3. ALL ALT. UNITS ARE MILLIMETERS

TRACEABILITY CODE:

NSPMMYYXXXX



ITEM NO.	BAY LENGTH "A"	BAY HEIGHT "B"	WEIGHT	COMPONENTS	
				S.NO.	DESCRIPTION
01RBB079G	2'-7" [787]	6'-6 ³ / ₄ " [2000]	6.7kgs/14.8lbs		
01RBB086G	2'-10" [864]	6'-6 ³ / ₄ " [2000]	7.3kgs/16.2lbs	1	TUBE
01RBB106G	3'-6" [1065]	6'-6 ³ / ₄ " [2000]	7.5kgs/16.6lbs	2	BRACE END LH
01RBB115G	3'-10" [1150]	6'-6 ³ / ₄ " [2000]	7.6kgs/16.7lbs	3	BRACE END RH
01RBB122G	4'-0" [1219]	6'-6 ³ / ₄ " [2000]	7.7kgs/17.0lbs	4	WEDGE
01RBB152G	5'-0" [1524]	6'-6 ³ / ₄ " [2000]	7.9kgs/17.5lbs	5	RIVET
01RBB157G	5'-2" [1572]	6'-6 ³ / ₄ " [2000]	8.3kgs/18.3lbs		
01RBB183G	6'-0" [1829]	6'-6 ³ / ₄ " [2000]	8.6kgs/19.0lbs		
01RBB213G	7'-0" [2130]	6'-6 ³ / ₄ " [2000]	9.5kgs/21.0lbs		
01RBB244G	8'-0" [2438]	6'-6 ³ / ₄ " [2000]	9.9kgs/21.8lbs		
01RBB305G	10'-0" [3050]	6'-6 ³ / ₄ " [2000]	11.3kgs/25.0lbs		