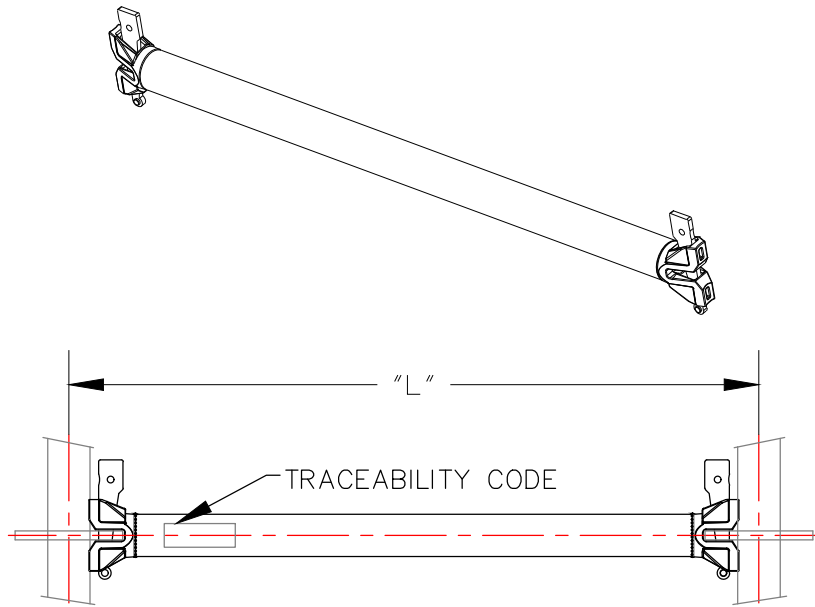
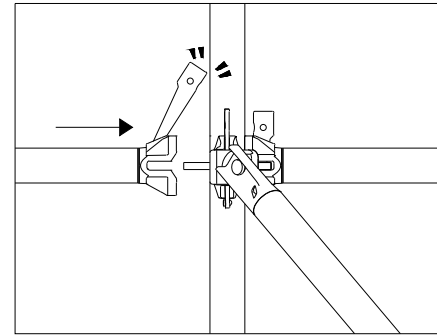


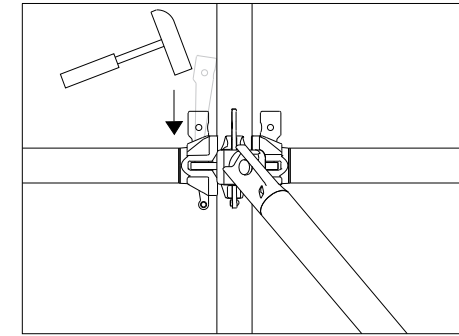
Ledger



WEDGE DETAIL PART 1



WEDGE DETAIL PART 2



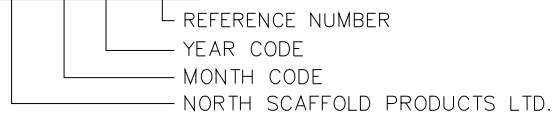
LEDGER DIAGRAM

NOTES:

1. DISTANCE 'L' REPRESENTS THE LENGTH BETWEEN VERTICAL CENTER LINES OF THE ADJACENT STANDARDS
2. LEDGERS ATTACH TO THE SMALLER HOLES ON THE ROSETTES
3. ALL ALT. UNITS IN ARE MILLIMETERS

TRACEABILITY CODE:

NSPMMYYXXXX



ITEM NO.	LENGTH "L"	WEIGHT	ITEM NO.	LENGTH "L"	WEIGHT
01RLO030G	1'-0" [305]	1.81kgs/3.95lbs	01RLO115G	3'-10" [1150]	4.82kgs/10.63lbs
01RLO036G	1'-3" [363]	2.04kgs/4.49lbs	01RLO122G	4'-0" [1219]	5.26kgs/11.60lbs
01RLO039G	1'-4" [390]	2.10kgs/4.64lbs	01RLO140G	4'-6" [1400]	5.55kgs/12.23lbs
01RLO061G	2'-0" [610]	2.84kgs/6.26lbs	01RLO152G	5'-0" [1524]	5.84kgs/12.88lbs
01RLO065G	2'-2" [650]	2.99kgs/6.59lbs	01RLO157G	5'-2" [1572]	6.32kgs/13.93lbs
01RLO073G	2'-4" [730]	3.53kgs/7.78lbs	01RLO182G	6'-0" [1829]	7.23kgs/15.94lbs
01RLO078G	2'-7" [787]	3.54kgs/7.80lbs	01RLO213G	7'-0" [2130]	8.12kgs/17.90lbs
01RLO088G	2'-10" [880]	3.92kgs/8.64lbs	01RLO244G	8'-0" [2438]	9.40kgs/20.72lbs
01RLO091G	3'-0" [914]	4.04kgs/8.90lbs	01RLO305G	10'-0" [3050]	11.60kgs/25.57lbs
01RLO106G	3'-6" [1065]	4.49kgs/9.90lbs			