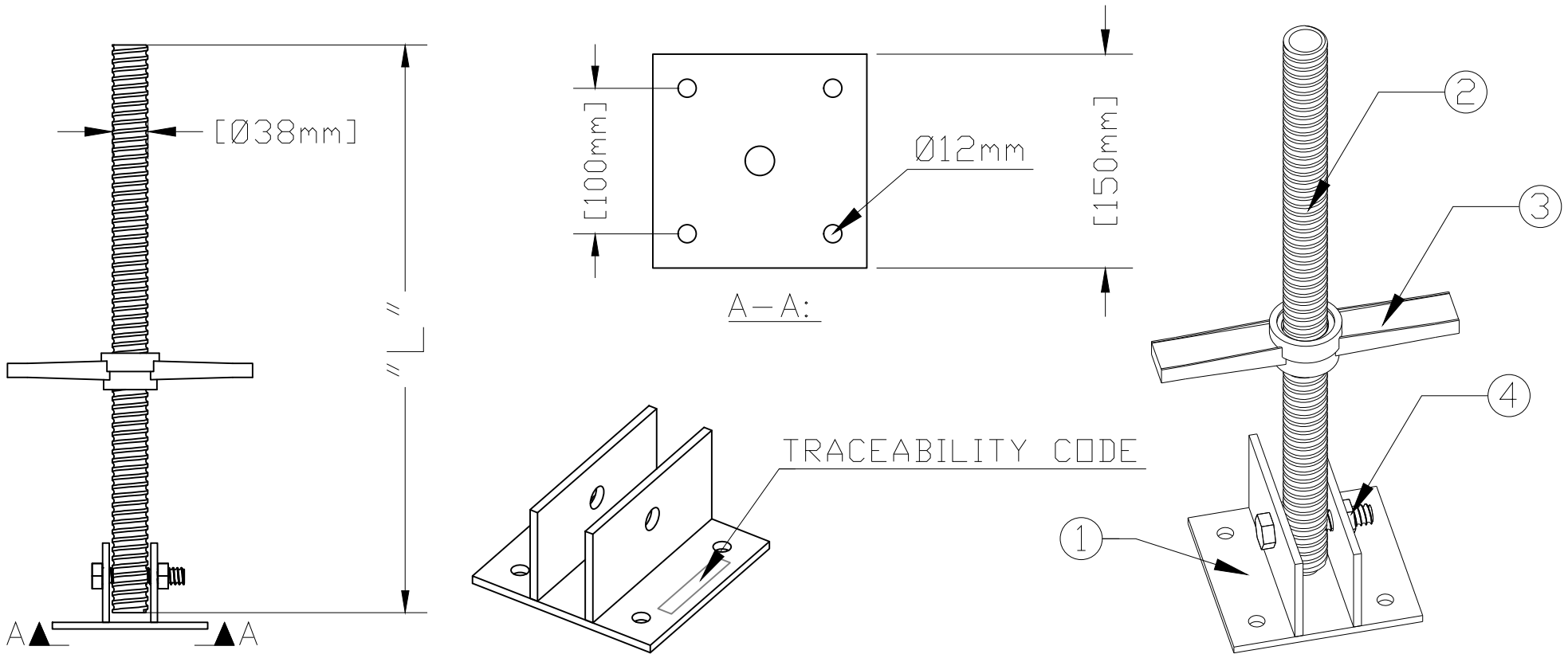


### Ø38mm Swivel Screwjack



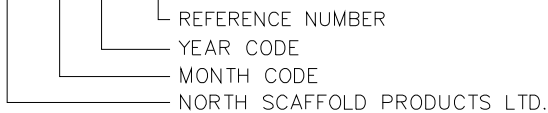
Ø38MM SWIVEL SCREWJACK DIAGRAM

**NOTES:**

1. ABOVE DIAGRAM DOES NOT DEPICT THE EXACT LAYOUT OF ALL SCREWJACKS
2. THE STATE OF THE SCREWJACK DETERMINES WHETHER OR NOT THE THREADED SHAFT IS SOLID OR HOLLOW
3. ALL ALT. UNITS ARE MILLIMETERS

**TRACEABILITY CODE:**

NSPMMYYXXXX



ITEM NO.	LENGTH "L"	WEIGHT	STATE	COMPONENTS	
01SJ2438SG	2'-0" [609.6]	4.6kgs/10.2lbs	HOLLOW	S.NO.	DESCRIPTION
				1	BASE PLATE
				2	THREADED SHAFT
				3	SWIVEL
				4	HEX BOLT & NUT