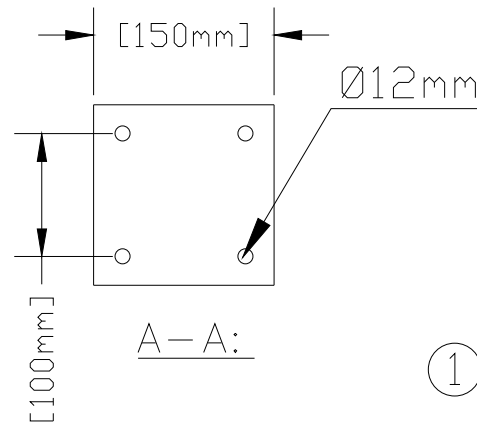
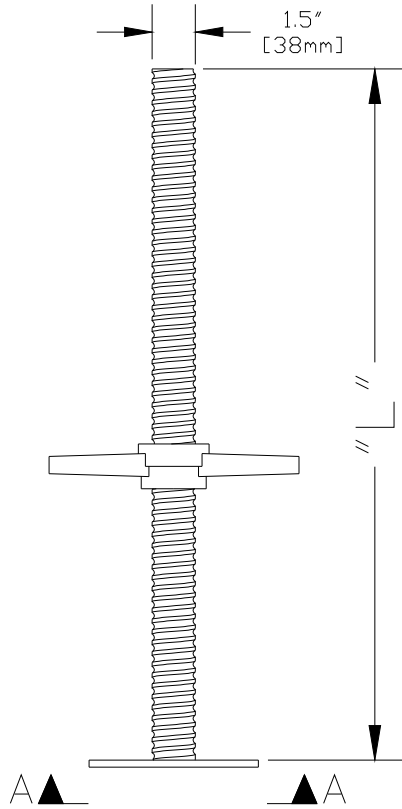
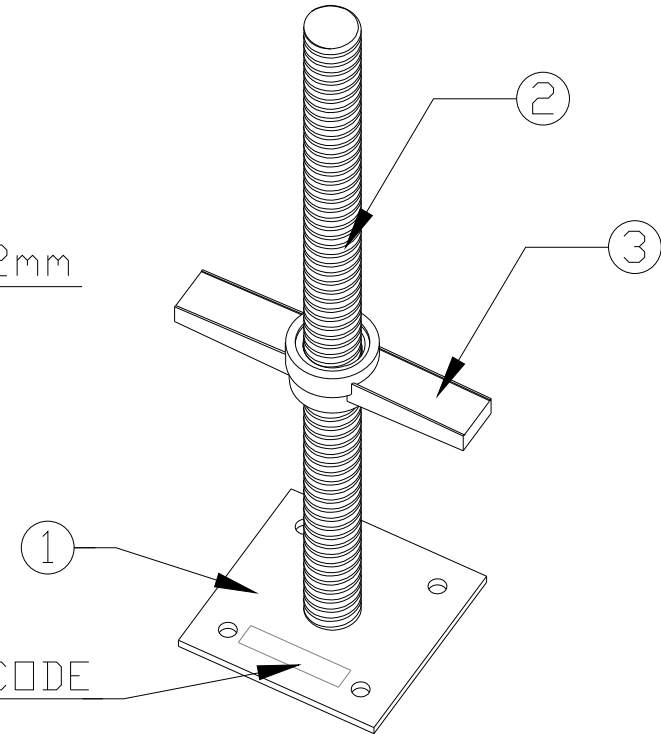


Ø38mm Screwjack Solid



TRACEABILITY CODE



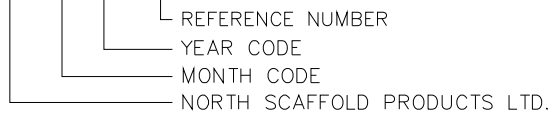
Ø38MM SCREWJACK SOLID DIAGRAM

NOTES:

1. THE STATE OF THE SCREWJACK DETERMINES WHETHER OR NOT THE THREADED SHAFT IS SOLID OR HOLLOW
2. ALL ALT. UNITS ARE MILLIMETERS

TRACEABILITY CODE:

NSPMMYYXXXX



ITEM NO.	LENGTH "L"	WEIGHT	STATE	COMPONENTS	
01SJS024E	2'-0" [610]	7.0kgs / 15.4lbs	SOLID	S.NO.	DESCRIPTION
01SJS024E	3'-0" [914]	9.6kgs / 21.2lbs	SOLID	1	BASE PLATE
				2	THREADED SHAFT
				3	SWIVEL