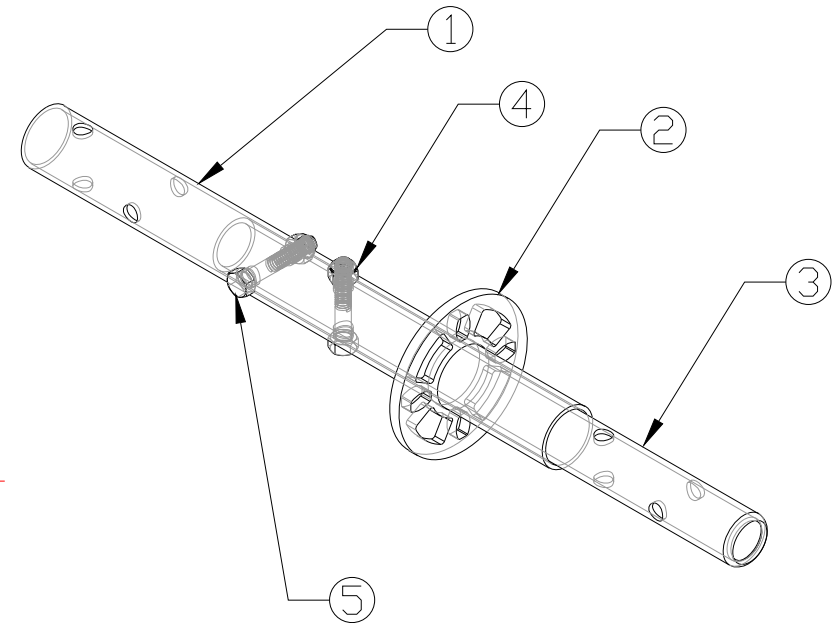
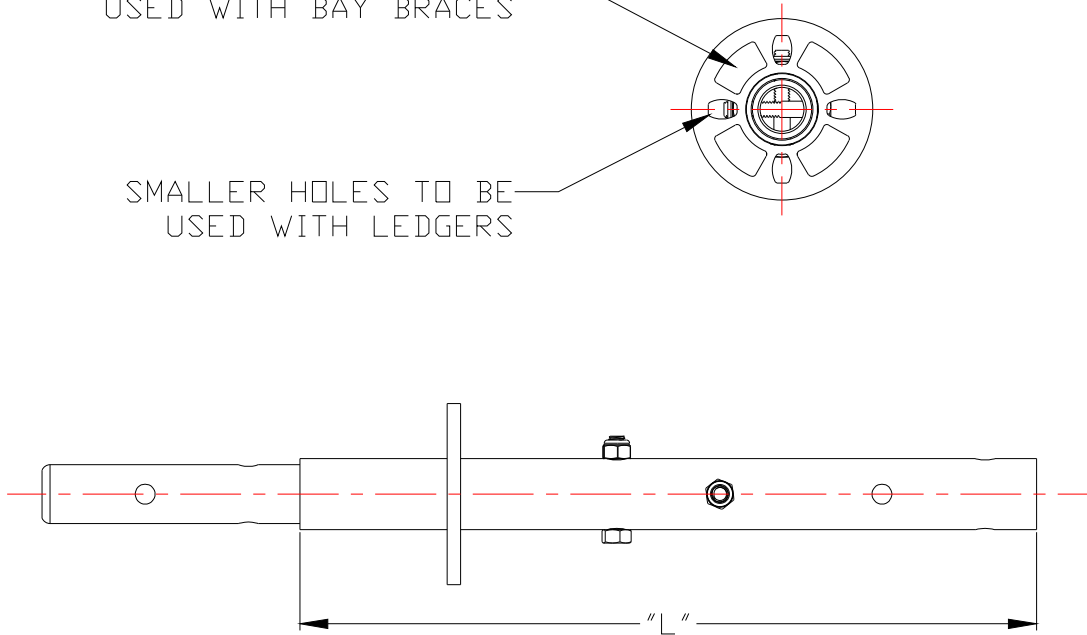


### Ringlock Standard - Pro

LARGE HOLES TO BE  
USED WITH BAY BRACES

SMALLER HOLES TO BE  
USED WITH LEDGERS



**NOTES:**

1. ABOVE DIAGRAM DOES NOT DEPICT THE EXACT LAYOUT OF ALL PRO-STANDARDS
2. AMOUNT OF ROSETTES PER STANDARD VARIES (REFER TO TABLE), DISTANCE BETWEEN EACH ROSETTE IS 500mm
3. DISTANCE "L" REPRESENTS LENGTH OF TUBE

TRACEABILITY CODE:

NSPMMYYXXXX

— REFERENCE NUMBER

— YEAR CODE

— MONTH CODE

— NORTH SCAFFOLD PRODUCTS LTD.

ITEM NO.	LENGTH "L"	# OF ROSETTES	WEIGHT	COMPONENTS	
01STD050GP	1' - 7 <sup>2</sup> / <sub>3</sub> " [0.5m]	1	3.9kgs/8.6lbs	S.NO.	DESCRIPTION
01STD100GP	3' - 3 <sup>1</sup> / <sub>3</sub> " [1.0m]	2	6.2kgs/13.6lbs	1	TUBE Ø48.3mm
01STD150GP	4' - 11" [1.5m]	3	8.4kgs/18.4lbs	2	ROSETTE
01STD200GP	6' - 6 <sup>3</sup> / <sub>4</sub> " [2.0m]	4	10.6kgs/23.3lbs	3	SPIGOT
01STD300GP	9' - 10" [3.0m]	6	15.0kgs/33.1lbs	4	HEX BOLT
				5	VINYL LOCK NUT