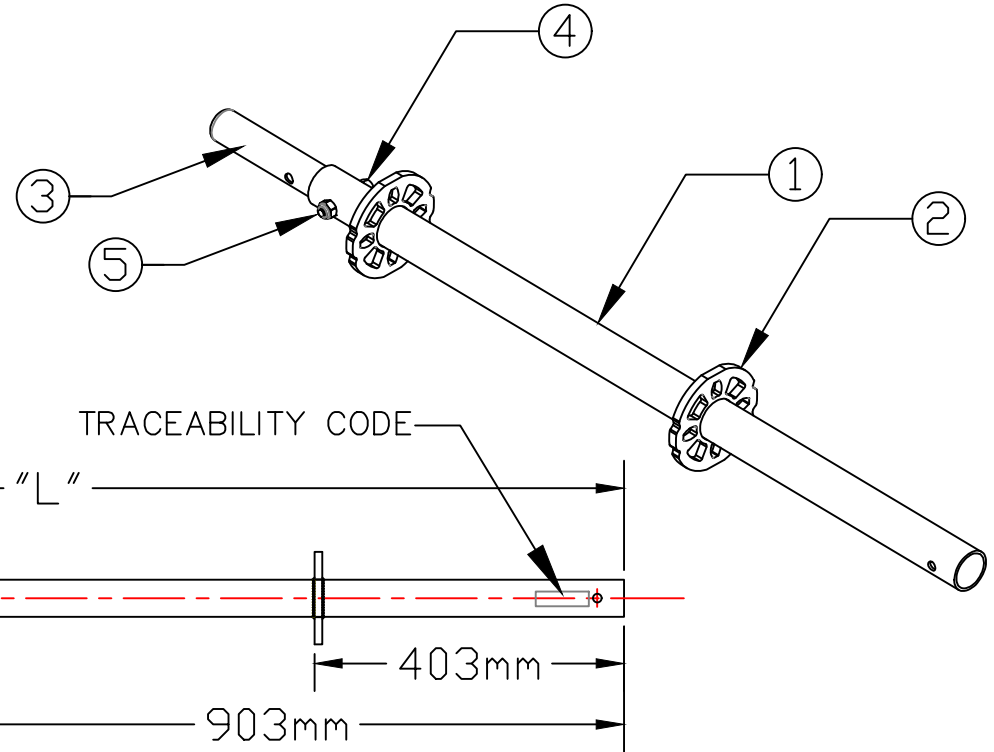
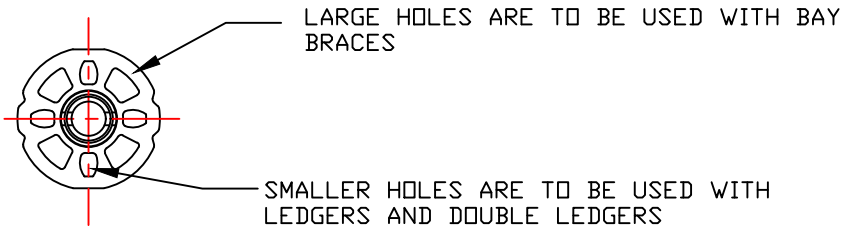


Standard with Spigot (Gen I)



STANDARD WITH SPIGOT (GEN I) DIAGRAM

NOTES:

1. ABOVE DIAGRAM DOES NOT DEPICT THE EXACT LAYOUT OF ALL STANDARDS
2. AMOUNT OF ROSETTES PER STANDARD VARIES (REFER TO TABLE), DISTANCE BETWEEN EACH ROSETTE IS 500mm
3. DISTANCE "L" REPRESENTS LENGTH OF TUBE

ITEM NO.	LENGTH "L"	ROSETTES	WEIGHT	COMPONENTS	
				S.NO.	DESCRIPTION
01STD050G	1'-7 ³ / ₈ " [0.5m]	1	3.33kgs/7.28lbs		
01STD100G	3'-3 ¹ / ₂ " [1.0m]	2	5.61kgs/12.37lbs	1	TUBE Ø48.3mm
01STD150G	4'-11" [1.5m]	3	7.78kgs/17.15lbs	2	ROSETTE
01STD200G	6'-6 ³ / ₄ " [2.0m]	4	10.17kgs/22.42lbs	3	SPIGOT
01STD250G	8'-2 ¹ / ₀ " [2.5m]	5	12.65kgs/27.89lbs	4	HEX BOLT
01STD300G	9'-10" [3.0m]	6	14.97kgs/38.56lbs	5	VINYL LOCK NUT

TRACEABILITY CODE:

NSPMMYYXXXX

REFERENCE NUMBER

YEAR CODE

MONTH CODE

NORTH SCAFFOLD PRODUCTS LTD.