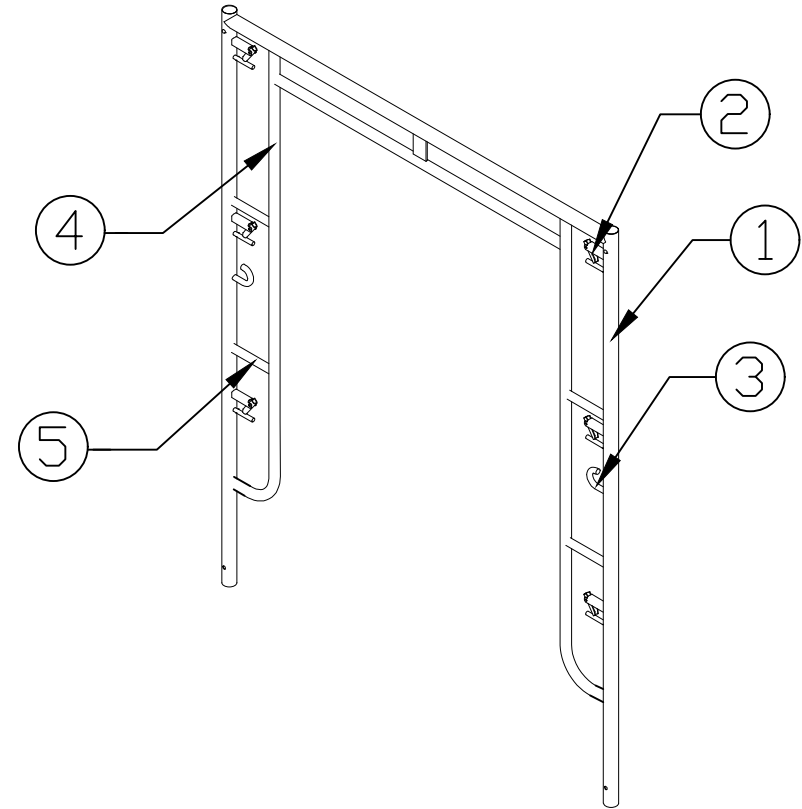
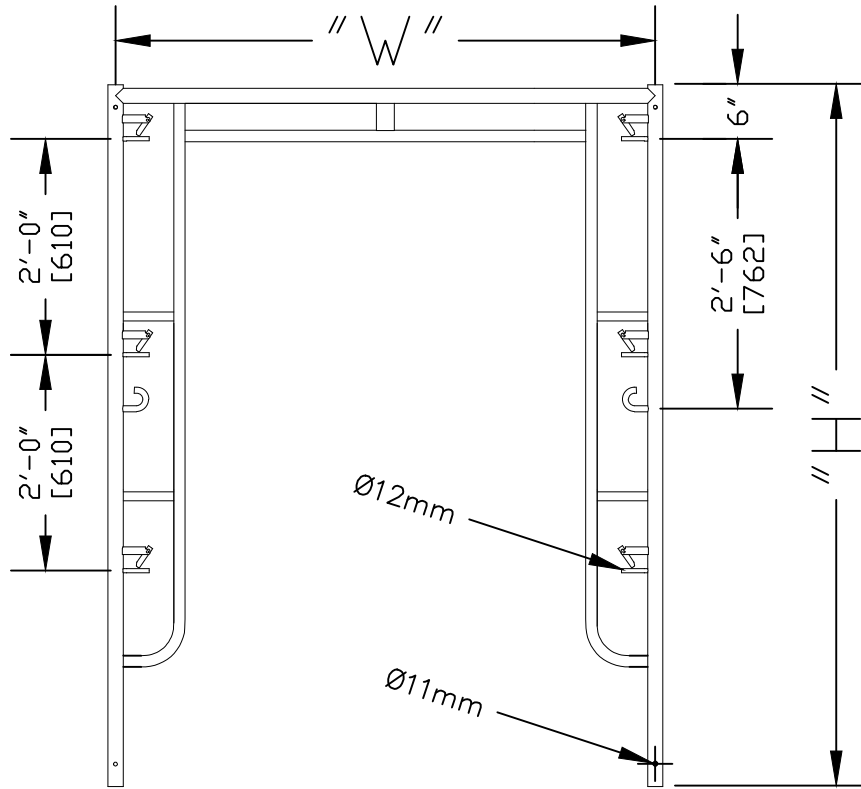


Arch Frame



NOTES:

1. LAST LETTER IN THE ITEM NUMBER DETERMINES THE COATING, A=ALUMINUM, P=POWDER COATED (PWC), AND G=GALVANIZED COATED (HDG)
2. ALT. UNITS ARE MILLIMETERS
3. LEG CAPACITY IS STATED WITH A 4:1 SAFETY FACTOR WITH A MAX SCREWJACK EXTENSION OF 12"
4. TIES ARE REQUIRED A MINIMUM OF EVERY 3RD FRAME VERTICALLY

ARCH FRAME 78" x 60" DIAGRAM

ITEM NO.	HEIGHT "H"	WIDTH "W"	WEIGHT	MAX LOAD/LEG		COMPONENTS
02AF7836G	6'-6" [1981]	3'-0" [914]	18.56 kgs	1560 lbs	S.NO.	DESCRIPTION
02AF7860G	6'-6" [1981]	5'-0" [1524]	20.30 kgs	1590 lbs	1	VER. TUBE Ø43mm
					2	LATCH ASSY
					3	RAIL HOOK
					4	LADDER TUBE Ø25.4
					5	STEP TUBE Ø25.4