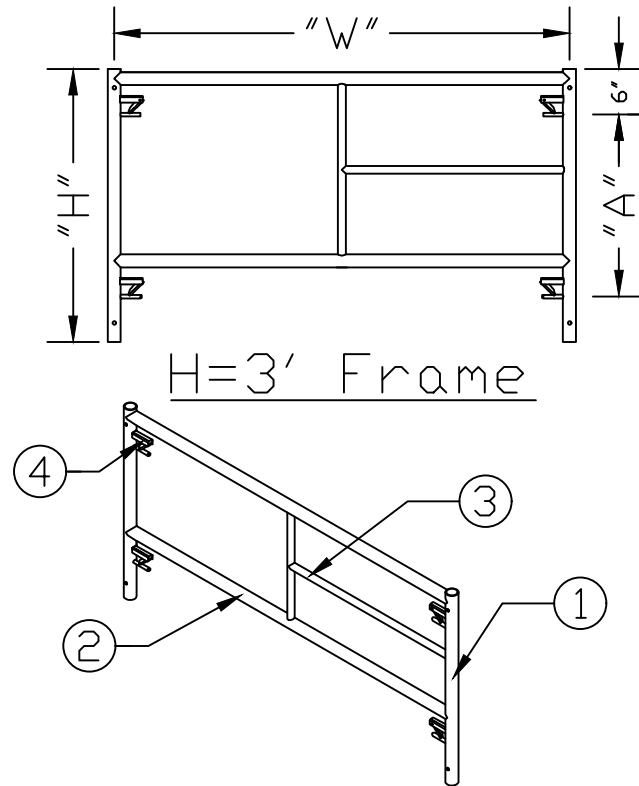
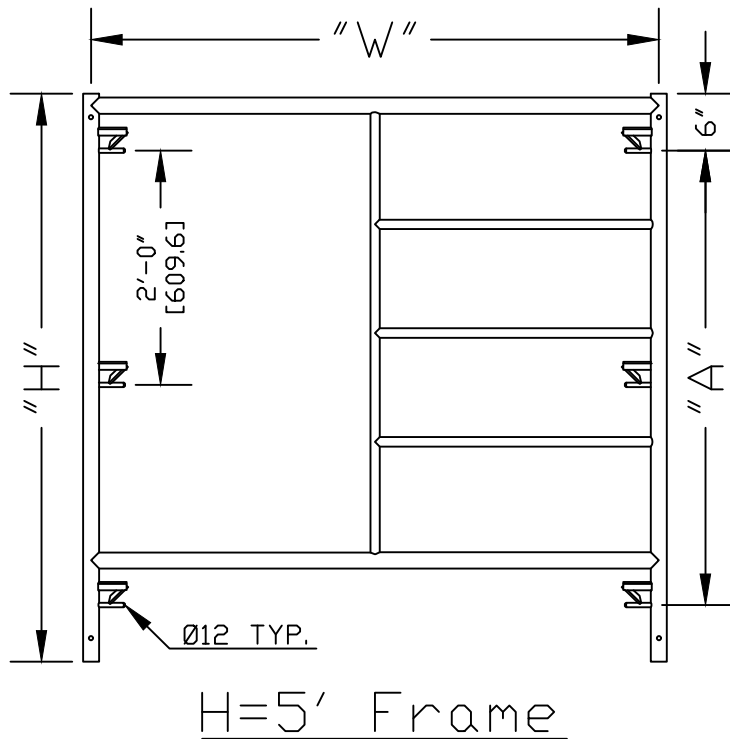


### Box Frame



BOX FRAME DIAGRAM

**NOTES:**

1. LAST LETTER IN THE ITEM NUMBER DETERMINES THE COATING, P=POWDER COATED (PWC) AND G=GALVANIZED COATED (HDG)
2. ALT. UNITS ARE MILLIMETERS
3. LEG CAPACITY IS STATED WITH A 4:1 SAFETY FACTOR WITH A MAX SCREWJACK EXTENSION OF 12".
4. TIES ARE REQUIRED A MINIMUM OF EVERY 3RD FRAME VERTICALLY.

| ITEM NO.  | HEIGHT "H"   | WIDTH "W"    | SPAN "A"     | WEIGHT    | MAX LOAD/LEG | COMPONENTS |                 |
|-----------|--------------|--------------|--------------|-----------|--------------|------------|-----------------|
| 02BF3660G | 3'-0" [914]  | 5'-0" [1524] | 2'-0" [610]  | 14.38 kgs | 2400 lbs     | S.NO.      | DESCRIPTION     |
| 02BF3660P | 3'-0" [914]  | 5'-0" [1524] | 2'-0" [610]  | 14.38 kgs | 2400 lbs     | 1          | VER. TUBE Ø42mm |
| 02BF6045G | 5'-0" [1524] | 3'-9" [1143] | 4'-0" [1219] | 15.77 kgs | 2237 lbs     | 2          | HOR. TUBE Ø42   |
| 02BF6060G | 5'-0" [1524] | 5'-0" [1524] | 4'-0" [1219] | 19.20 kgs | 2400 lbs     | 3          | STEP TUBE Ø25   |
| 02BF6060P | 5'-0" [1524] | 5'-0" [1524] | 4'-0" [1219] | 19.20 kgs | 2400 lbs     | 4          | LATCH ASSY      |