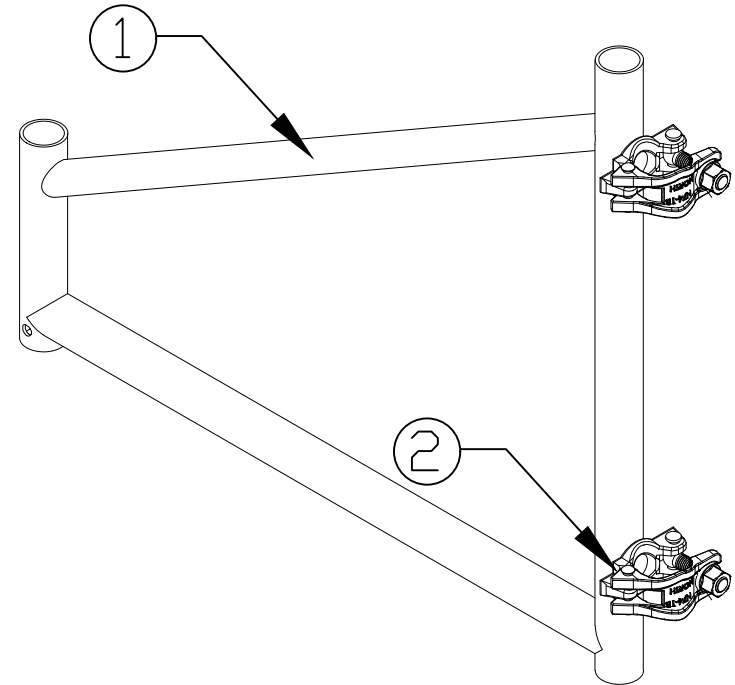
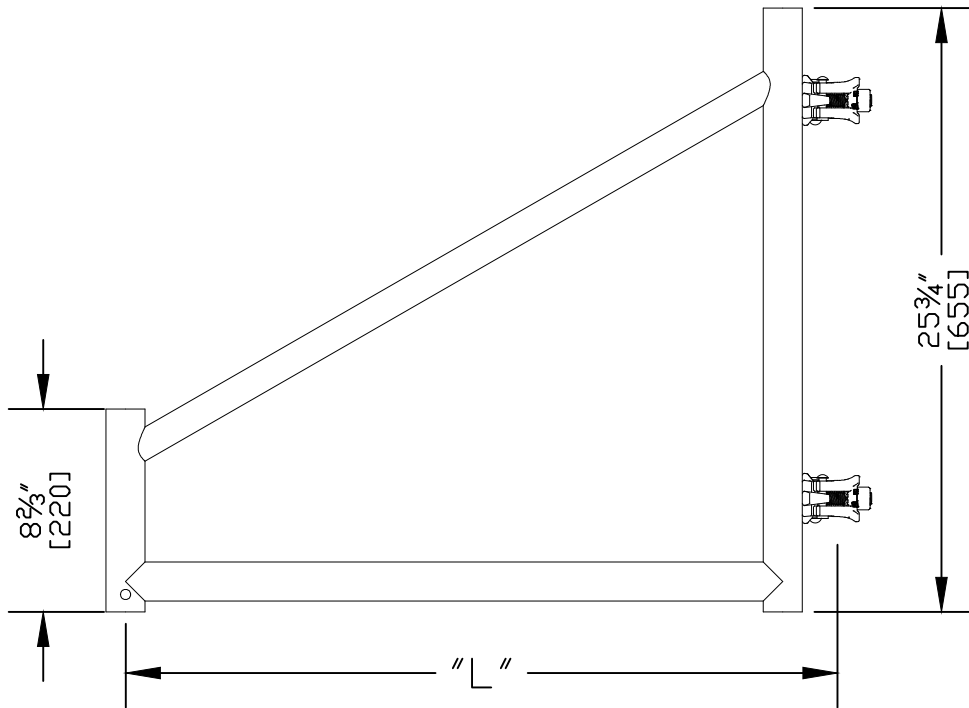


Outrigger



OUTRIGGER DIAGRAM

NOTES:

1. DISTANCE "L" REPRESENTS DISTANCE FROM CENTRE OF OUTER OUTRIGGER TUBE TO CENTER FRAME LEG
2. ALL ALT. UNITS ARE MILLIMETERS

TRACEABILITY CODE:

NSP02180801
 └─── BATCH CODE WITH SUPPLIER IDENTIFICATION CODE
 └─── YEAR CODE
 └─── MONTH CODE
 └─── NORTH SCAFFOLD PRODUCTS LTD.

ITEM NO.	LENGTH "L"	WEIGHT	COMPONENTS	
02OTRG30H	2'-6" [762]	9.8kgs / 21.6lbs	S.NO.	DESCRIPTION
			1	OUTRIGGER
			2	I-BOLT CLAMP HALF