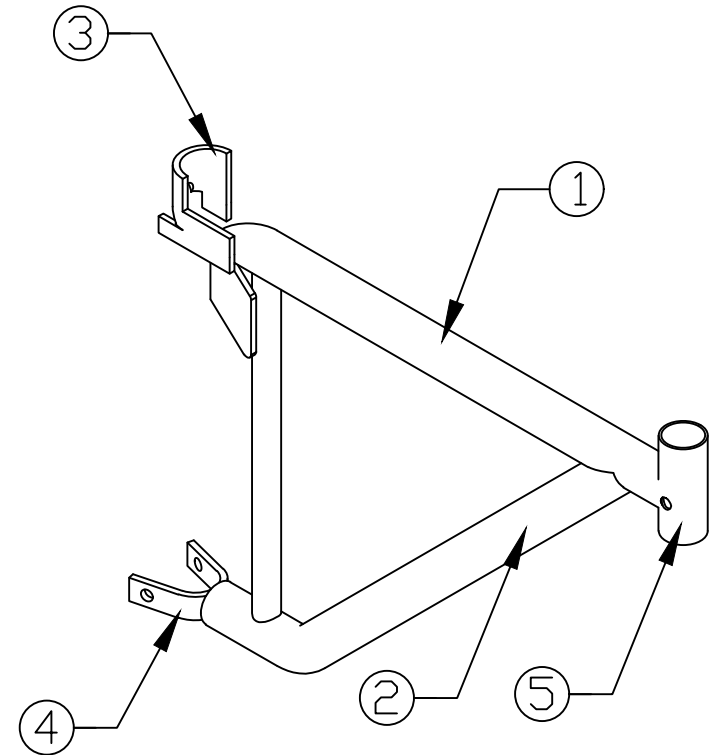
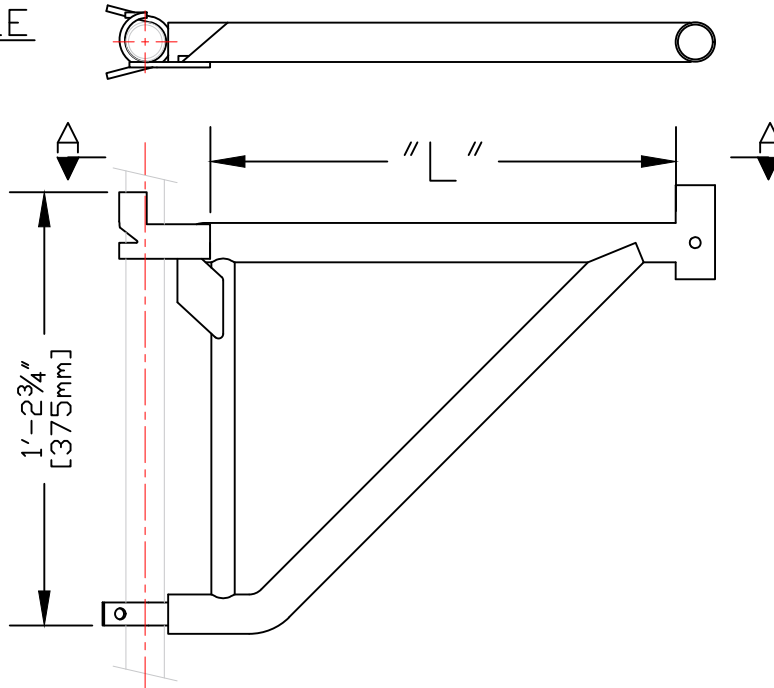


Side Bracket

TOP PROFILE
A-A:



SIDE BRACKET DIAGRAM

NOTES:

1. LENGTH "L" DENOTES PLATFORM LENGTH AVAILABLE WITH THE SIDE BRACKET
2. SIDE BRACKET INTENDED TO BE USED WITH NORTH FRAMES
3. ALL ALT. UNITS ARE MILLIMETERS

ITEM NO.	"L"	WEIGHT	COMPONENTS	
02SDBR20G	20" [508]	9.80 kgs	S.NO.	DESCRIPTION
			1	PLATFORM TUBE
			2	SUPPORTING TUBE
			3	FRAME PLATE UPPER
			4	FRAME PLATE LOWER
			5	OUTER TUBE