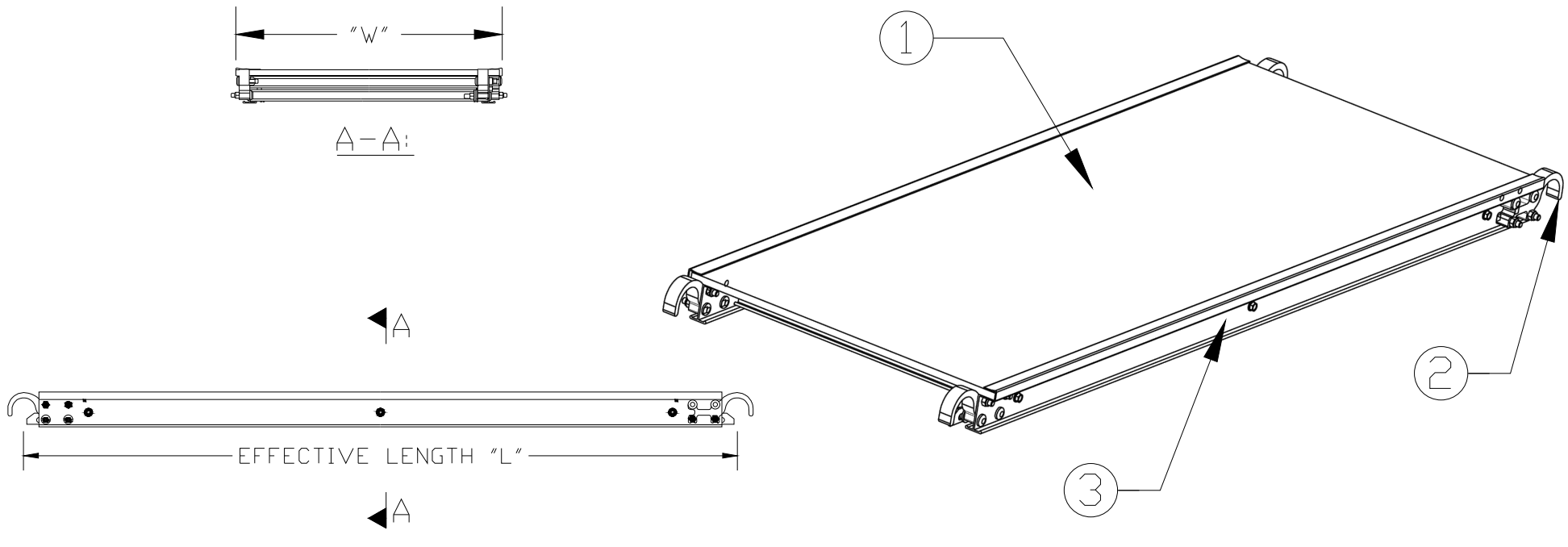


Alum/Plywood Deck



ALUMINUM/PLYWOOD DECK DIAGRAM

NOTES:

1. ABOVE DIAGRAM DOES NOT DEPICT THE EXACT DIMENSIONS OF ALL ALUMINUM DECKS
2. ALL ALTERNATIVE UNITS SHOWN ARE MILLIMETRES
3. ALL DECKS HAVE WIND LATCHES
4. FOR ALLOWABLE LOADING CONTACT NSP

ITEM NO.	LENGTH "L"	WIDTH "W"	WEIGHT	COMPONENTS	
				S.NO.	DESCRIPTION
03AD0311P	3'-9" [1150]	1'-7" [483]	9.1kgs/20.0lbs		
03AD0312P	3'-9" [1150]	2'-0" [610]	10.9kgs/24.0lbs	1	PLYWOOD
03AD0519P	5'-0" [1524]	1'-7" [483]	11.5kgs/25.4lbs	2	LEDGER HOOK
03AD0520P	5'-0" [1524]	2'-0" [610]	13.5kgs/29.8lbs	3	ALUM. BEAM
03AD0521P	5'-2" [1572]	1'-7" [483]	11.8kgs/26.0lbs		
03AD0522P	5'-2" [1572]	2'-0" [610]	13.9kgs/30.6lbs		
03AD0701P	7'-0" [2130]	1'-7" [483]	14.8kgs/32.6lbs		
03AD0702P	7'-0" [2130]	2'-0" [610]	17.1kgs/37.7lbs		
03AD1001P	10'-0" [3050]	1'-7" [483]	20.9kgs/46.1lbs		
03AD1002P	10'-0" [3050]	2'-0" [610]	26.2kgs/57.8lbs		

TRACEABILITY CODE:

NSPMMYYXXXX

