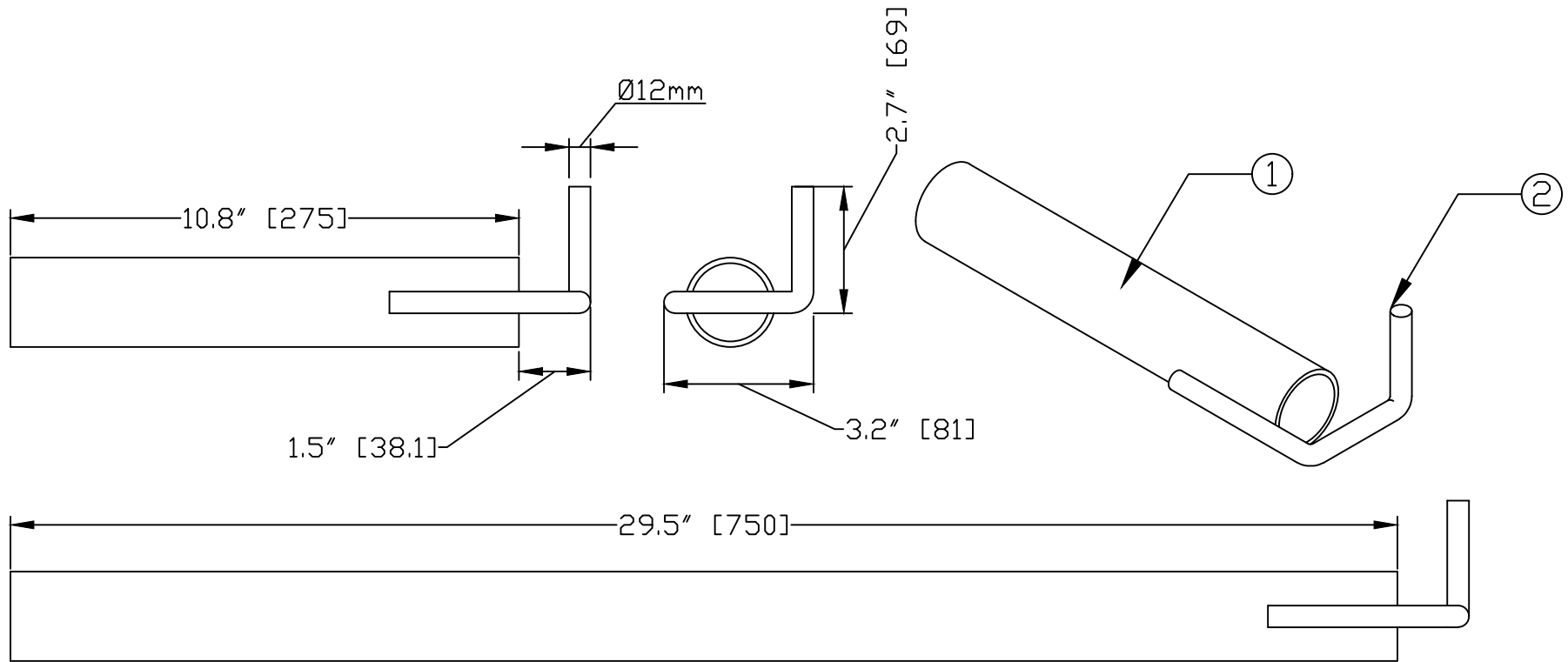


Steel Tie Tube



STEEL TIE TUBE DIAGRAM

NOTES:

1. ALL ALT. UNITS ARE MILLIMETERS
2. STEEL TIE TUBES ARE USED IN CONJUNCTION WITH RIGHT ANGLE CLAMPS OR SWIVEL CLAMPS
3. ABOVE DIAGRAM DEPICTS EXACT LAYOUT OF STEEL TIE TUBES

ITEM NO.	LENGTH "L"	WEIGHT	COMPONENTS	
04ATH275G	10.8" [275]	1.0kgs/2.2 lbs	S.NO.	DESCRIPTION
04ATH750G	29.5" [750]	2.3kgs/5.1 lbs	1	TUBE Ø48.3mm
			2	TIE