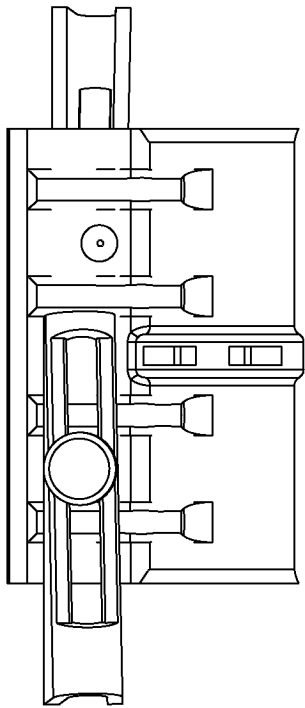
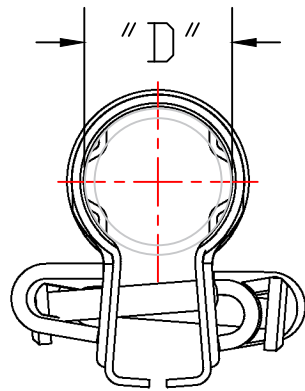


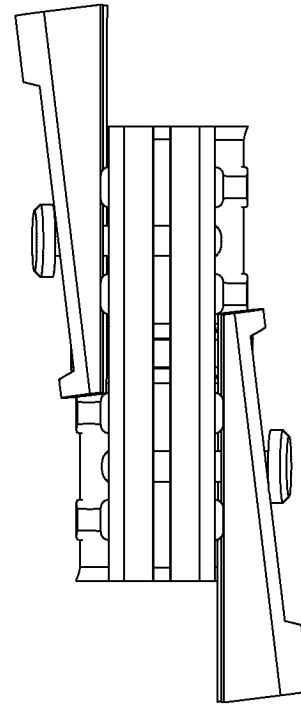
End to End Joiner



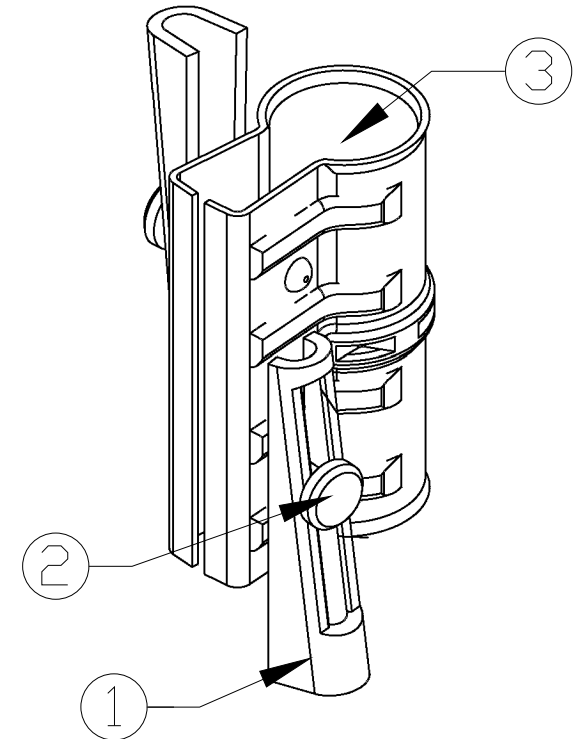
FRONT VIEW



TOP VIEW



SIDE VIEW



END TO END JOINER DIAGRAM

NOTES:

1. THE WEDGE USES FRICTION TO CREATE A TIGHT & SECURE FIT CONNECTING TWO TUBES
2. ALL ALT. UNITS ARE MILLIMETERS

ITEM NO.	"D"	WEIGHT	SYSTEM	COMPONENTS	
05EJ4848G	48.3 mm	1.1kgs/2.5lbs	ALL	S.NO.	DESCRIPTION
				1	WEDGE
				2	RIVET
				3	TUBE JOINER