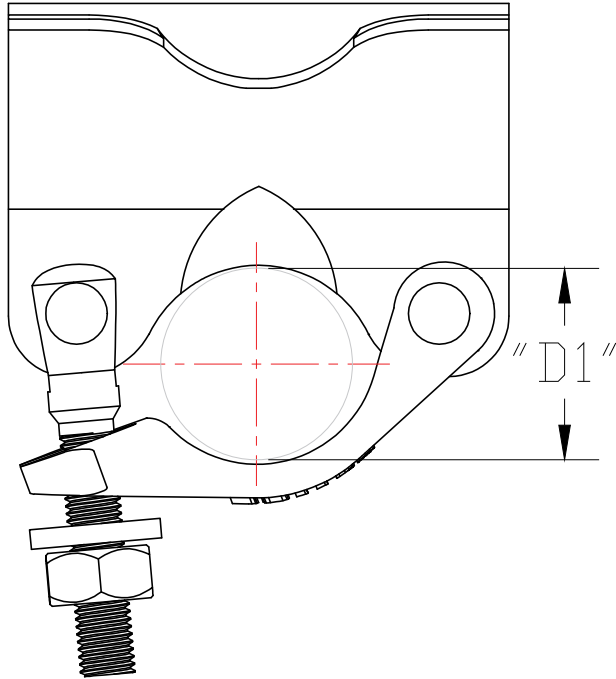
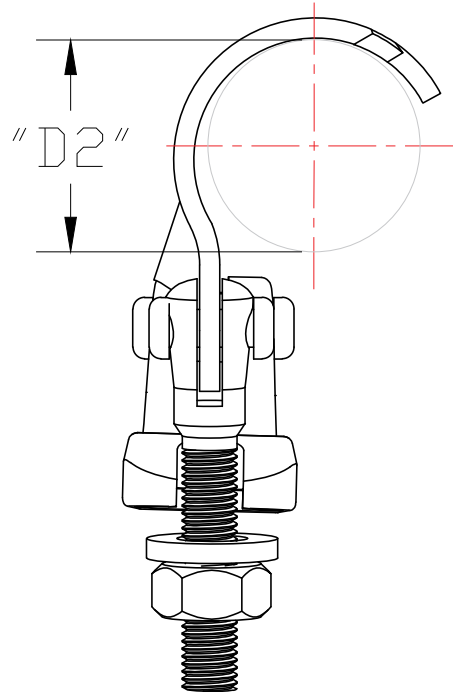


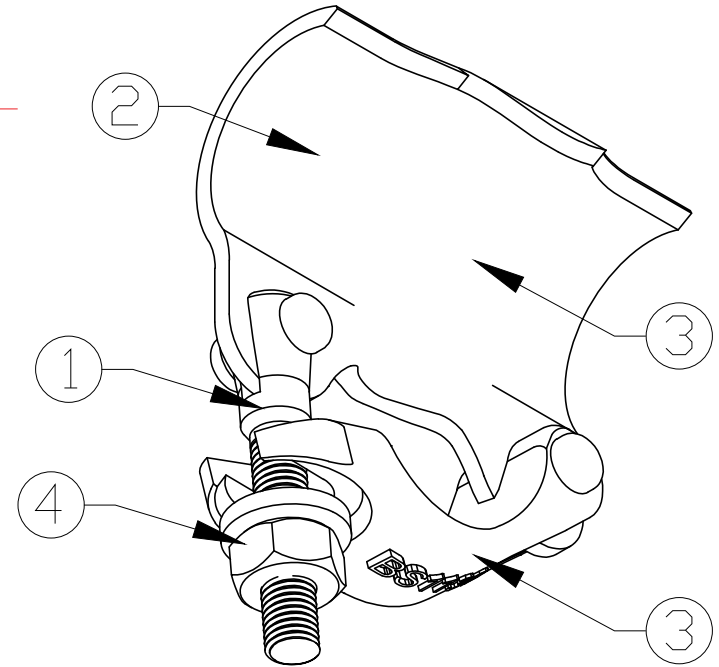
### Single Putlog Coupler



FRONT  
PROFILE:



SIDE  
PROFILE:



SINGLE PUTLOG COUPLER DIAGRAM

NOTES:

1. DIMENSIONS "D1" & "D2" REPRESENT DIAMETERS OF TUBES USED WITH THE PUTLOG COUPLER
2. ALL ALT. UNITS ARE MILLIMETERS

ITEM NO.	"D1" x "D2"	WEIGHT	COMPONENTS	
06IBPCBCE	48mm x 48mm	0.64kgs/1.4lbs	S.NO.	DESCRIPTION
			1	I-BOLT
			2	PUTLOG PLATE
			3	CLAMP
			4	NUT & WASHER