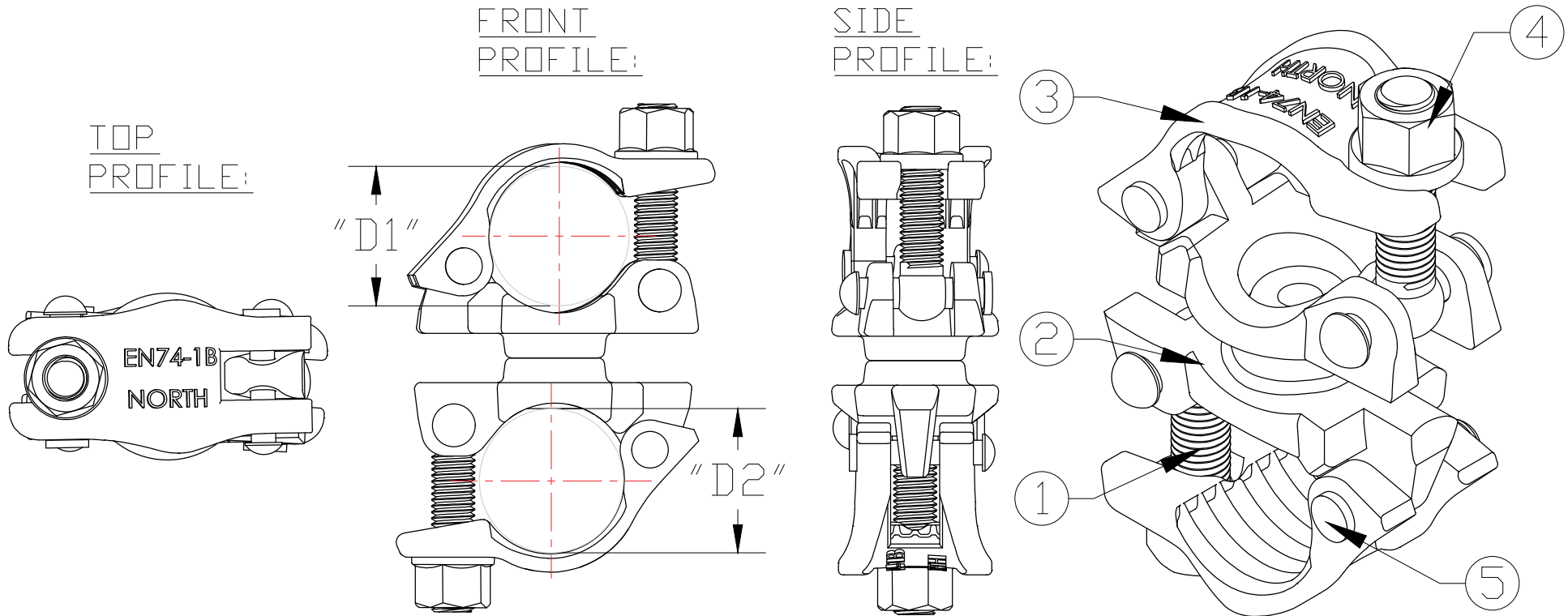


I-Bolt Swivel Clamp



I-BOLT SWIVEL CLAMP DIAGRAM

NOTES:

1. ABOVE DIAGRAM DOES NOT DEPICT THE EXACT LAYOUT OF ALL I-BOLT SWIVEL CLAMPS
2. D1 AND D2 REPRESENT THE TUBE DIAMETER TO BE USED WITH THE CORRESPONDING I-BOLT SWIVEL CLAMP
3. ALL ALT. UNITS ARE MILLIMETERS

ITEM NO.	"D1" x "D2"	WEIGHT	COMPONENTS	
06SI4848E	48mm x 48mm	1.8kgs/3.9lbs	S.NO.	DESCRIPTION
			1	I-BOLT
			2	SWIVEL
			3	CLAMP
			4	NUT
			5	HINGE