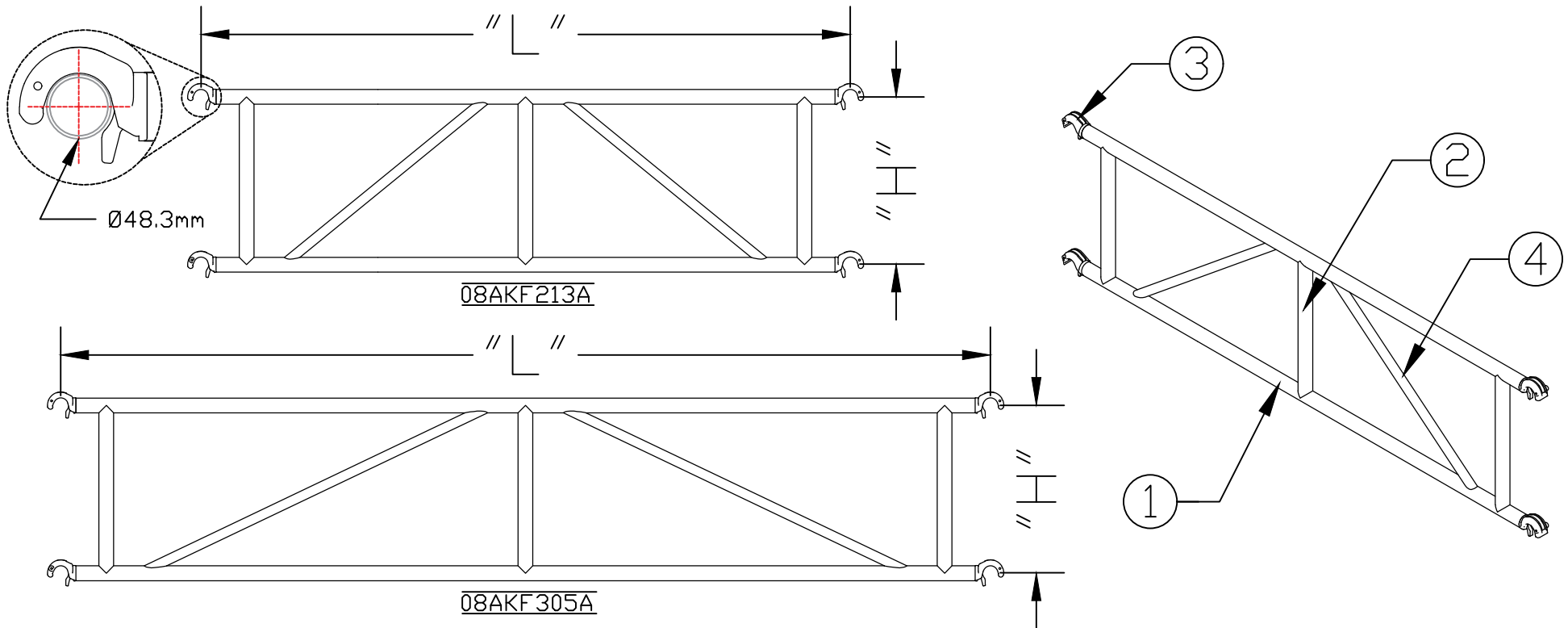


K-Frame



K-FRAME DIAGRAM

ITEM NO.	LENGTH "L"	HEIGHT "H"	WEIGHT	COMPONENTS	
08AKF213A	7'-0" [2134]	1'-11 ⁷ / ₁₀ " [2134]	10.8 kgs	S.NO.	DESCRIPTION
08AKF305A	10'-0" [3048]	1'-11 ⁷ / ₁₀ " [2134]	14.0 kgs	1	HOR. TUBE Ø48.3
				2	VER. TUBE Ø48.3
				3	CLAW
				4	DIAG. TUBE Ø32

NOTES:

1. ABOVE DIAGRAM DEPICTS THE EXACT LAYOUT OF BOTH K-FRAMES
2. ALL ALT. UNITS ARE MILLIMETERS