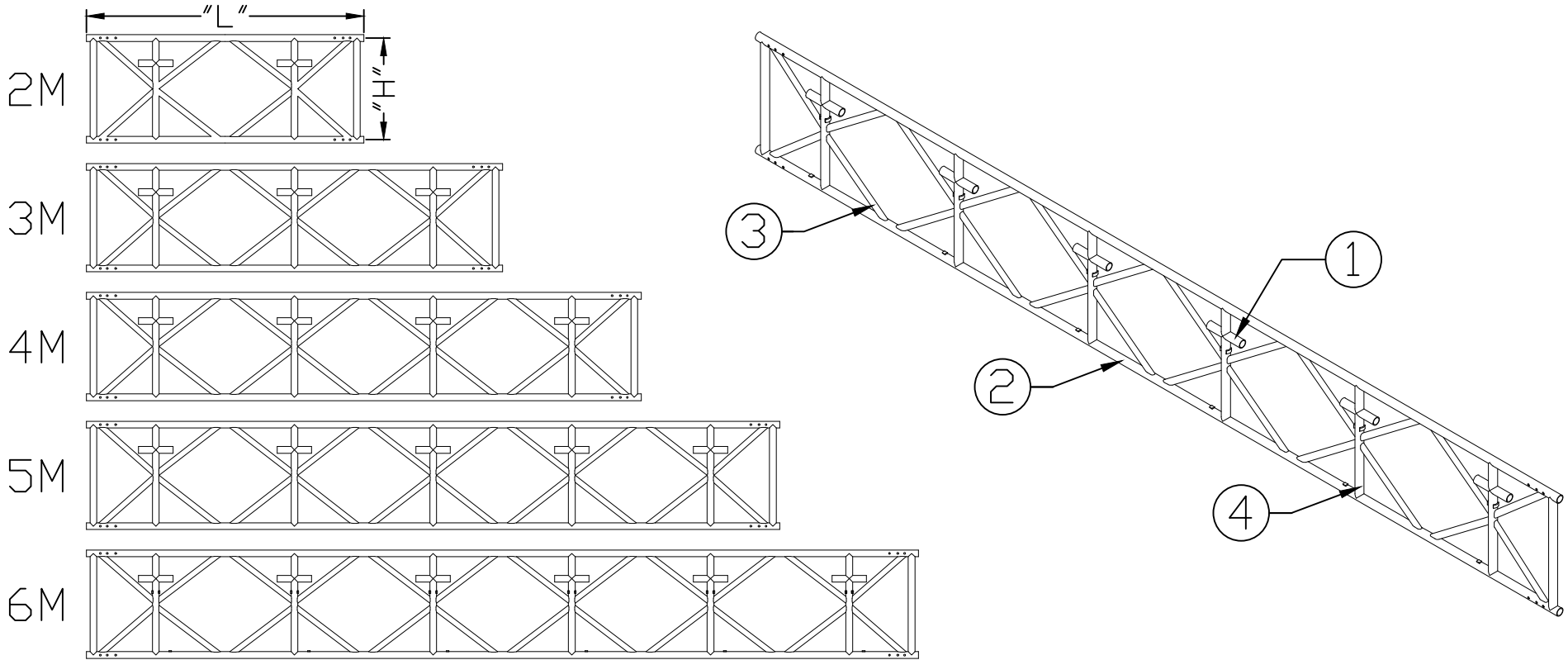


Diamond Beam



DIAMOND BEAM DIAGRAM

NOTES:

1. ABOVE DIAGRAM DEPICTS EXACT LAYOUT OF EACH DIAMOND BEAM
2. ALTERNATIVE UNITS IN MM UNLESS OTHERWISE LABELED

TRACEABILITY CODE:

NSP01180401

BATCH CODE WITH SUPPLIER IDENTIFICATION

YEAR CODE

MONTH CODE

NORTH SCAFFOLD PRODUCTS LTD.

ITEM NO.	LENGTH "L"	HEIGHT "H"	WEIGHT	COMPONENTS	
08DB7802A	6'-6 ³ / ₄ " [2.0m]	2'-4 ³ / ₄ " [732]	16.3 kgs	S.NO.	DESCRIPTION
08DB7803A	9'-10" [3.0m]	2'-4 ³ / ₄ " [732]	25.9 kgs	1	BRACE TUBE Ø48.3
08DB7804A	13'-1 ¹ / ₂ " [4.0m]	2'-4 ³ / ₄ " [732]	30.3 kgs	2	HOR. TUBE
08DB7805A	16'-5 ³ / ₄ " [5.0m]	2'-4 ³ / ₄ " [732]	39.0 kgs	3	DIAG. TUBE
08DB7806A	19'-8 ¹ / ₄ " [6.0m]	2'-4 ³ / ₄ " [732]	43.0 kgs	4	VERT. TUBE