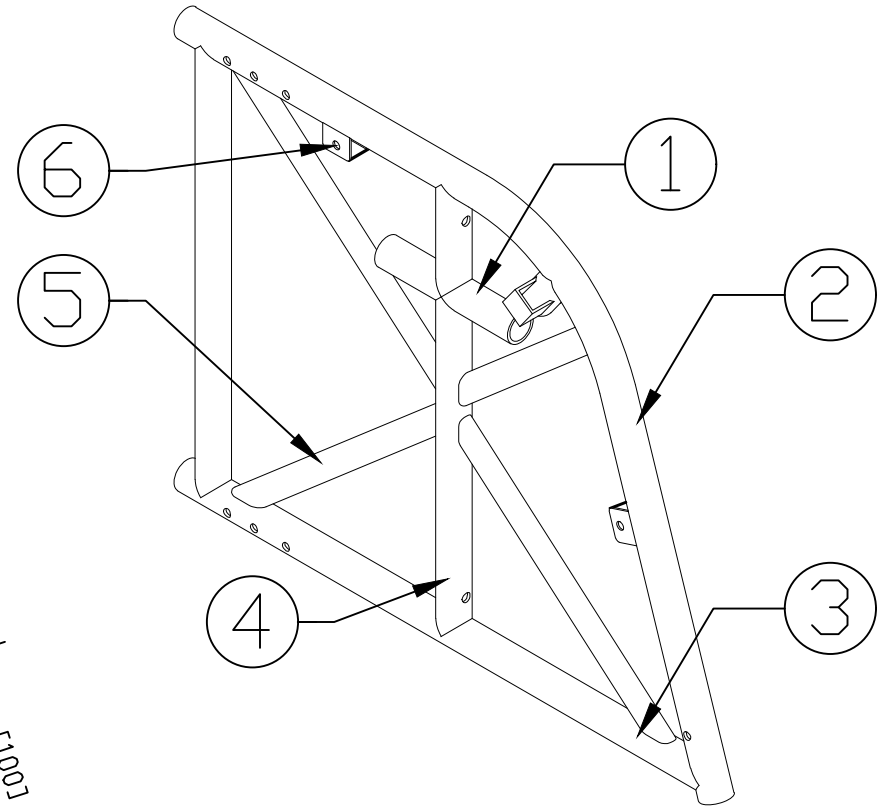
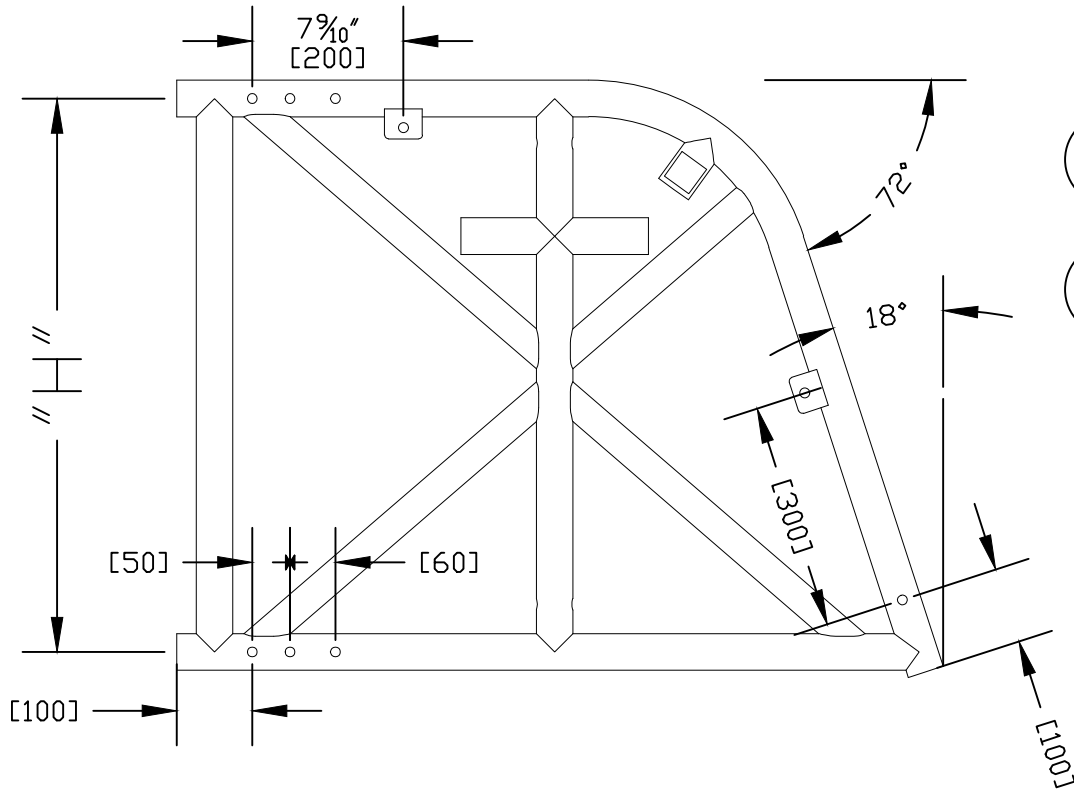


18 Degree Diamond Eave Beam



18 DEGREE DIAMOND EAVE BEAM DIAGRAM

NOTES:

1. ABOVE DIAGRAM DEPICTS EXACT LAYOUT OF EAVE BEAM
2. ALTERNATIVE UNITS IN MM UNLESS OTHERWISE LABELED

TRACEABILITY CODE:

NSP01180401

BATCH CODE WITH SUPPLIER IDENTIFICATION
YEAR CODE
MONTH CODE
NORTH SCAFFOLD PRODUCTS LTD.

ITEM NO.	HEIGHT "H"	WEIGHT	COMPONENTS			
			S.NO.	DESCRIPTION	S.NO.	DESCRIPTION
08DDEB18A	2'-4 ⁸ / ₁₀ " [732]	9.10 kgs	1	BRACE TUBE Ø48.3	6	TRACK BRACKET
			2	TRACK TUBE		
			3	HOR. TUBE		
			4	VERT. TUBE		
			5	DIAG. TUBE		