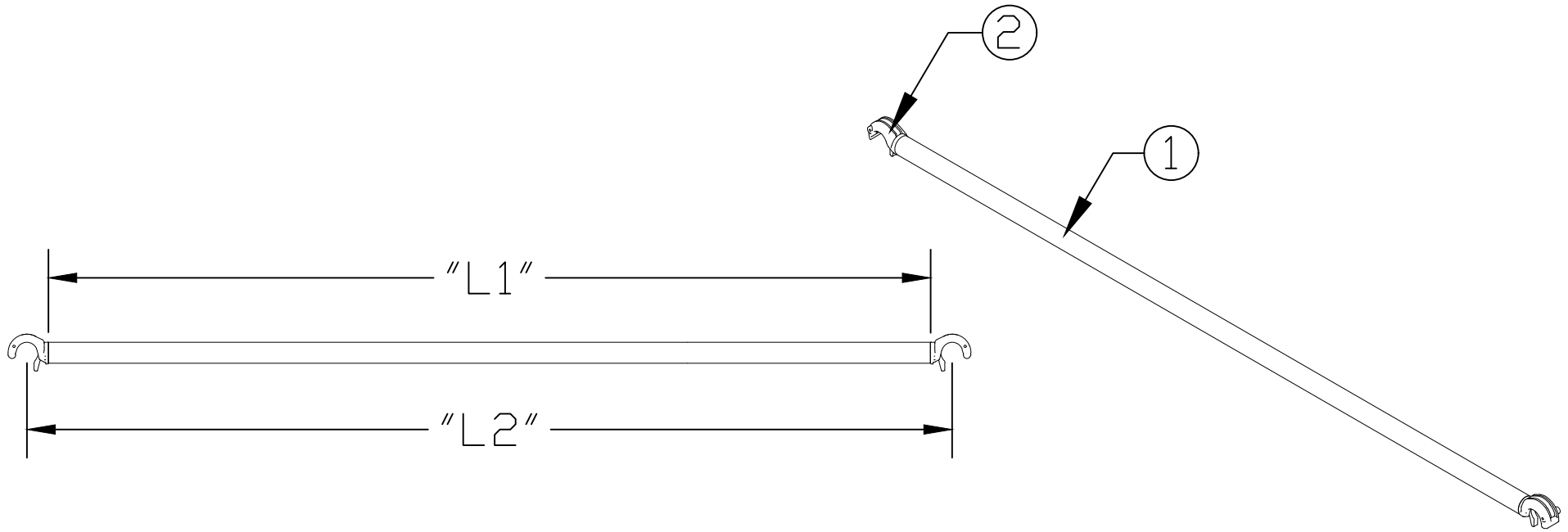


### Horizontal Brace



HORIZONTAL BRACE DIAGRAM

**NOTES:**

1. ABOVE DIAGRAM DEPICTS EXACT LAYOUT OF HORIZONTAL BRACE
2. THE 2.13m AND 3.05m BRACES ARE DESIGNED TO CREATE 7' AND 10' DIAMOND BEAM SPANS RESPECTIVELY (CENTER TO CENTER)
3. ALL ALT. UNITS ARE MILLIMETERS UNLESS OTHERWISE LABELLED

ITEM NO.	LENGTH "L1"	LENGTH "L2"	WEIGHT	COMPONENTS	
08HBR213A	6'-5 <sup>3</sup> / <sub>8</sub> " [1972]	6'-10" [2084]	3.70 kgs	S.NO.	DESCRIPTION
08HBR305A	9'-5 <sup>3</sup> / <sub>8</sub> " [2886]	9'-10" [2998]	5.20 kgs	1	TUBE Ø48mm
				2	HORIZONTAL BRACE HEAD