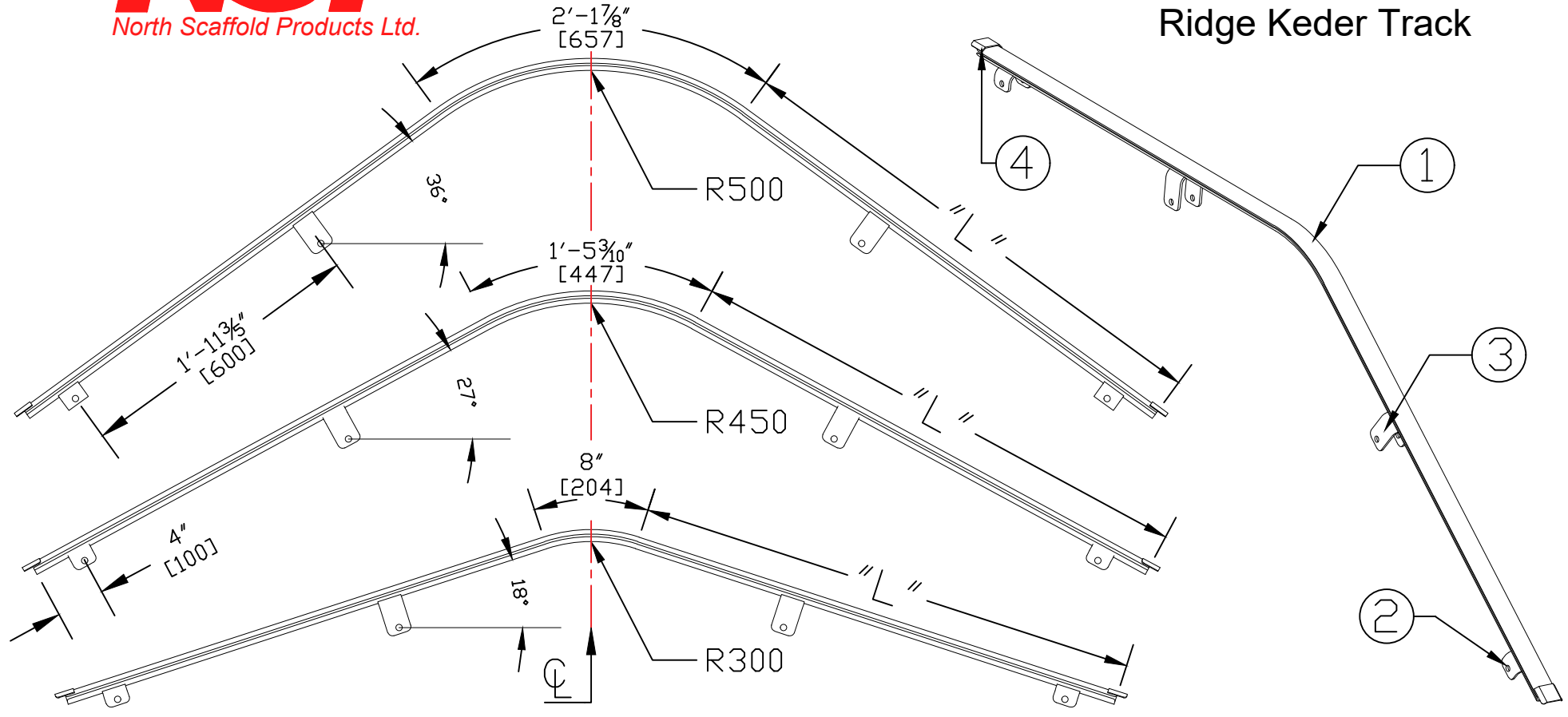


Ridge Keder Track



RIDGE KEDER TRACK DIAGRAM

NOTES:

1. ABOVE DIAGRAM DEPICTS EXACT LAYOUT OF 18°, 27° & 36° KEDER TRACK
2. RIDGE KEDER TRACKS ARE SYMMETRIC ABOUT THE CENTER LINE "C"
3. ALL TRACK SIZES HAVE THE SAME DISTANCE BETWEEN END AND MID BRACKETS [600]
4. ALTERNATIVE UNITS IN MM UNLESS OTHERWISE LABELLED

ITEM NO.	LENGTH "L"	INCLINE ANGLE	WEIGHT	COMPONENTS	
08KTR018A	3'-5" [1041]	18°	3.60 kgs	S.NO.	DESCRIPTION
08KTR027A	3'-6" [1068]	27°	3.70 kgs	1	TRACK
08KTR036A	3'-5½" [1056]	36°	3.70 kgs	2	END BRACKET
				3	MID BRACKET
				4	U-PLATE