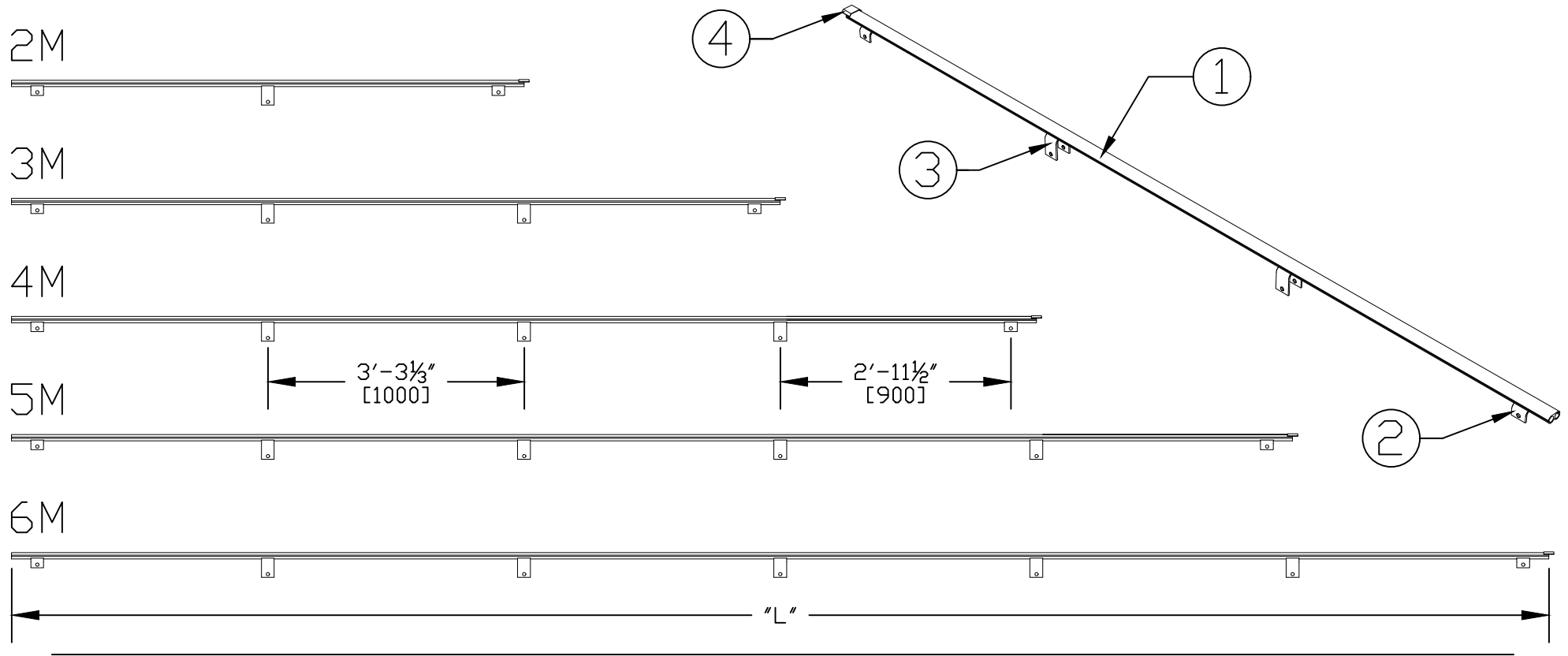


### Keder Track



KEDER TRACK DIAGRAM

**NOTES:**

1. ABOVE DIAGRAM DEPICTS EXACT LAYOUT OF EACH KEDER TRACK
2. AMOUNT OF BRACKETS ON EACH KEDER TRACK VARIES BASED ON OVERALL LENGTH
3. ALTERNATIVE UNITS IN MM UNLESS OTHERWISE LABELLED

ITEM NO.	LENGTH "L"	# OF BRACKETS	WEIGHT	COMPONENTS	
08KTR002A	6'-6 3/4" [2.0m]	3	2.80 kgs	S.NO.	DESCRIPTION
08KTR003A	9'-10" [3.0m]	4	4.20 kgs	1	TRACK
08KTR004A	13'-1 1/2" [4.0m]	5	5.60 kgs	2	END BRACKET
08KTR005A	16'-5 3/4" [5.0m]	6	7.00 kgs	3	MID BRACKET
08KTR006A	19'-8 1/4" [6.0m]	7	8.40 kgs	4	U-PLATE