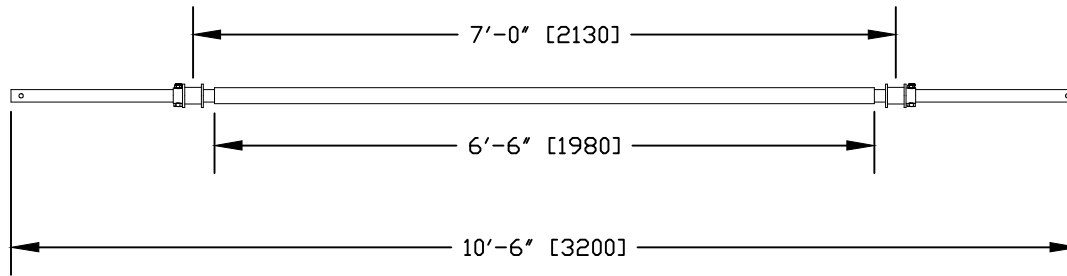
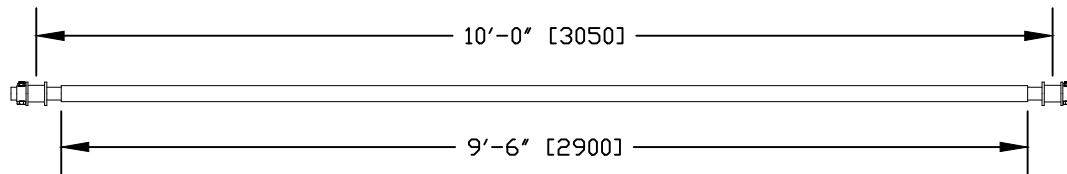


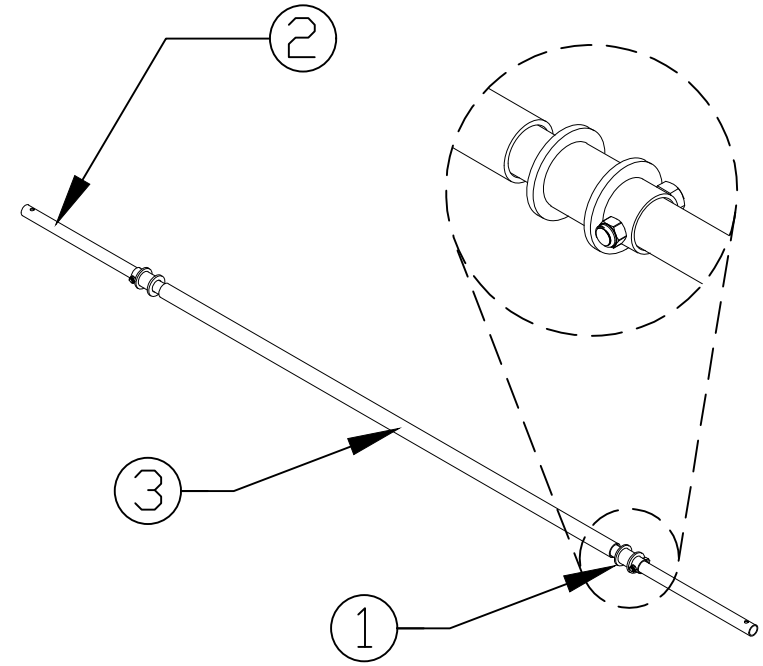
Sheet Pulling Bar



08SPB213G:



08SPB305G:



SHEET PULLING BAR DIAGRAM

NOTES:

1. ALL ALT. UNITS ARE MILLIMETERS
2. ABOVE DIAGRAM DEPICTS THE EXACT LAYOUT OF THE SHEET PULLING BAR
3. USED FOR TYPICAL NSP TEMPORARY ROOF BAY
4. SIZES ARE USED WITH TYPICAL 7' AND 10' NSP KEDER TARPS
5. MUST BE USED WITH NSP KEDER TRACK

ITEM NO.	LENGTH "L"	WEIGHT	COMPONENTS	
08SPB213G	7'-0" [2130]	18.6kgs / 41lbs	S.NO.	DESCRIPTION
08SPB305G	10'-0" [3050]	22.7kgs / 50lbs	1	NYLON BUSHING
			2	ROTARY SHAFT
			3	OUTER TUBE