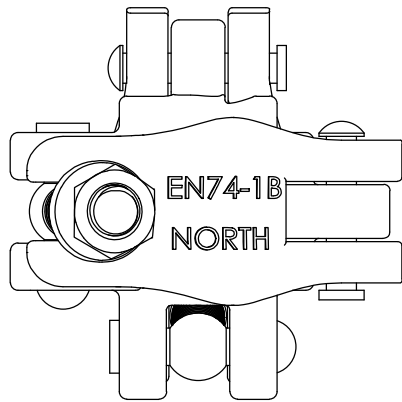
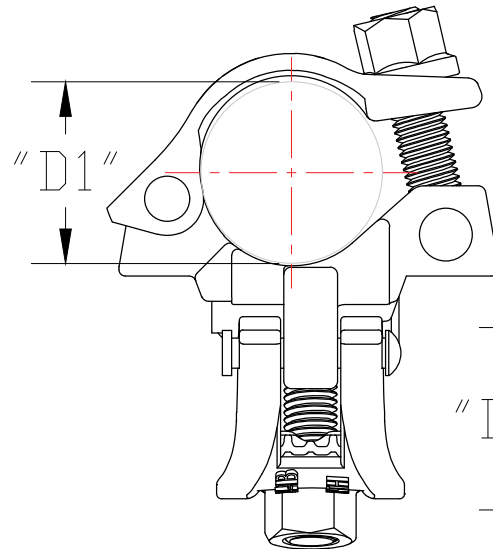


I-Bolt Clamp

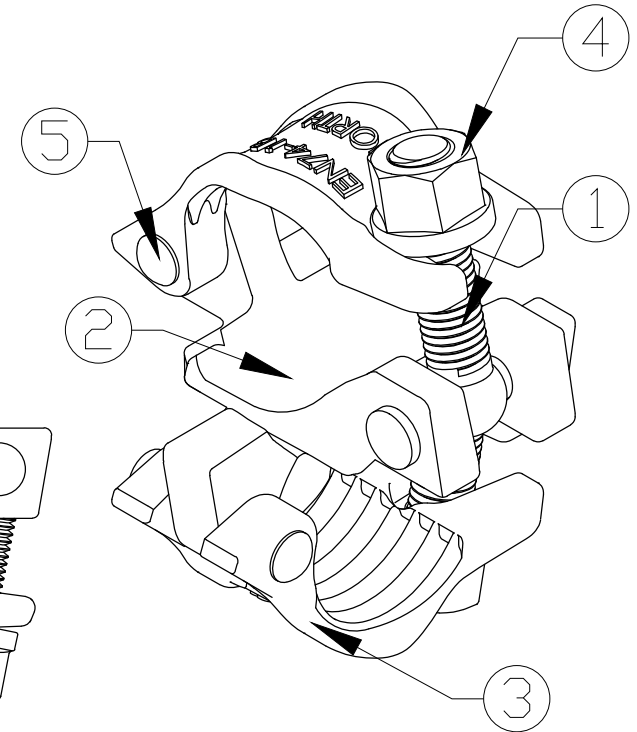
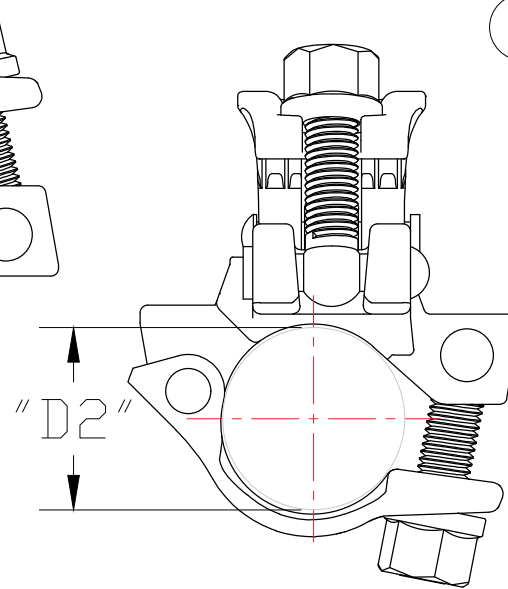
TOP
PROFILE:



FRONT
PROFILE:



SIDE
PROFILE:



I-BOLT CLAMP DIAGRAM

NOTES:

1. ABOVE DIAGRAM DOES NOT DEPICT THE EXACT LAYOUT OF ALL I-BOLT CLAMPS
2. D1 AND D2 REPRESENT THE TUBE DIAMETER TO BE USED WITH THE CORRESPONDING I-BOLT CLAMP
3. ALL ALT. UNITS ARE MILLIMETERS

ITEM NO.	"D1" x "D2"	WEIGHT	COMPONENTS	
			S.NO.	DESCRIPTION
06RI4848E	48mm x 48mm	1.4kgs/3.0lbs	1	I-BOLT
			2	FORGED ANGLE
			3	CLIP
			4	HEX NUT
			5	RIVOT