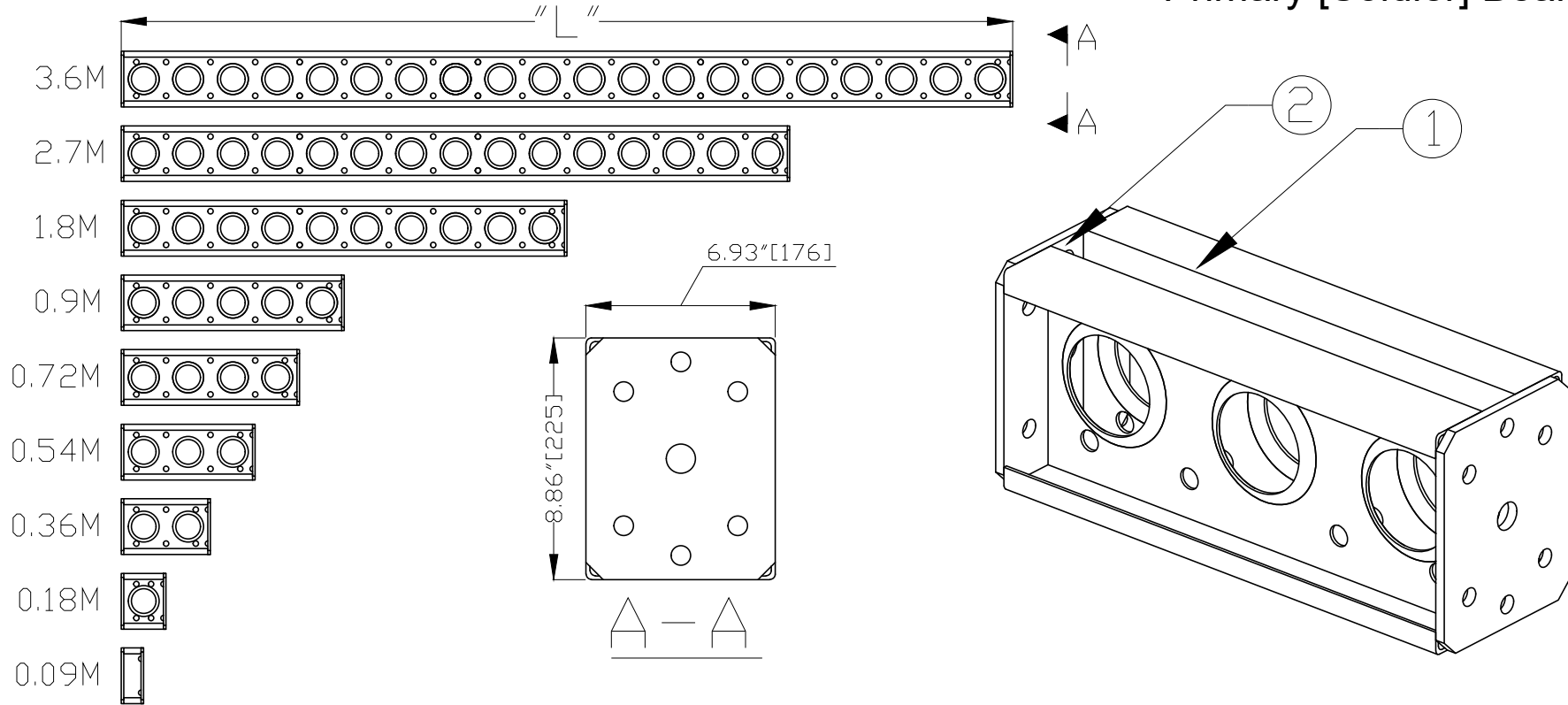


Primary [Soldier] Beam



PRIMARY [SOLDIER] BEAM DIAGRAM

ITEM NO.	LENGTH "L"	WEIGHT	COMPONENTS	
			S.NO.	DESCRIPTION
09PRB009	3.5" [90]	7.3kgs / 16.1lbs	1	PRIMARY/SOLDIER BEAM
09PRB018	7.1" [180]	8.8kgs / 19.4lbs		
09PRB036	1'-2.2" [360]	12.2kgs / 26.9lbs	2	END PLATE
09PRB054	1'-9.3" [540]	15.5kgs / 34.1lbs		
09PRB072	2'-4.3" [720]	19.8kgs / 43.6lbs		
09PRB090	2'-11.4" [900]	24.1kgs / 53.1lbs		
09PRB180	5'-10.9" [1800]	45.6kgs / 100.6lbs		
09PRB270	8'-10.3" [2700]	67.2kgs / 148.1lbs		
09PRB360	11'-9.7" [3600]	88.7kgs / 195.6lbs		

NOTES:

1. ABOVE DIAGRAM DEPICTS THE EXACT LAYOUT OF EACH PRIMARY BEAM
2. ALL ALTERNATIVE UNITS SHOWN ARE MILLIMETRES
3. DRAWING IS NOT TO SCALE