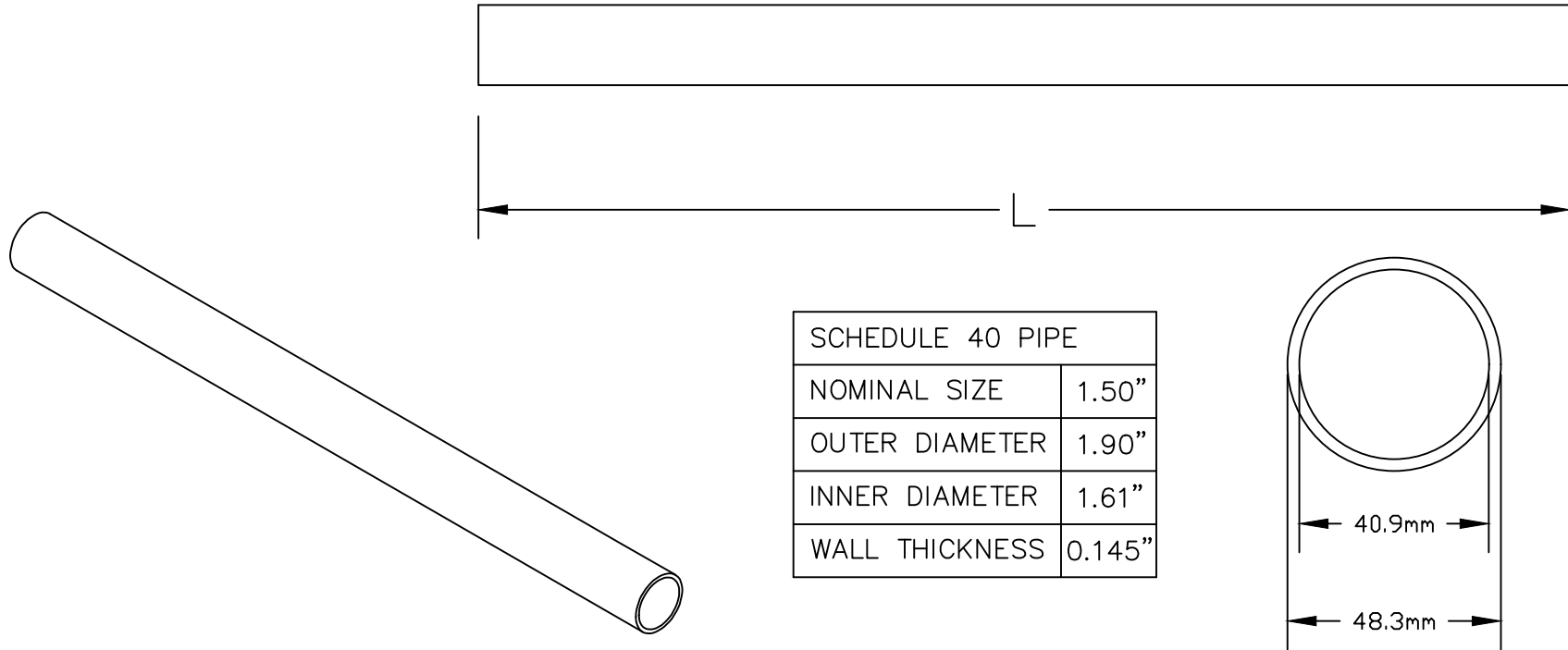


Aluminum Tube



SCHEDULE 40 PIPE	
NOMINAL SIZE	1.50"
OUTER DIAMETER	1.90"
INNER DIAMETER	1.61"
WALL THICKNESS	0.145"

ALUMINUM TUBE DIAGRAM

ITEM NO.	LENGTH "L"	WEIGHT	ITEM NO.	LENGTH "L"	WEIGHT	ITEM NO.	LENGTH "L"	WEIGHT
AT0610	2'-0" [609]	0.86 kgs	AT2743	9'-0" [2743]	3.87 kgs	AT4877	16'-0" [4877]	6.88 kgs
AT0914	3'-0" [914]	1.29 kgs	AT3048	10'-0" [3048]	4.3 kgs	AT5182	17'-0" [5182]	7.31 kgs
AT1219	4'-0" [1219]	1.72 kgs	AT3353	11'-0" [3353]	4.73 kgs	AT5486	18'-0" [5486]	7.74 kgs
AT1524	5'-0" [1524]	2.15 kgs	AT3658	12'-0" [3658]	5.16 kgs	AT5791	19'-0" [5791]	8.17 kgs
AT1829	6'-0" [1829]	2.58 kgs	AT3962	13'-0" [3962]	5.59 kgs	AT6096	20'-0" [6096]	8.6 kgs
AT2134	7'-0" [2124]	3.01 kgs	AT4267	14'-0" [4267]	6.02 kgs	AT7315	24'-0" [7315]	10.3 kgs
AT2438	8'-0" [2438]	3.44 kgs	AT4572	15'-0" [4572]	6.45 kgs			